



# Operating instructions for dishwashers G 685

---

It is **essential** to read these operating instructions before installing or using the machine, to avoid risk of accident or damage to the machine.



M.-Nr. 04 873 440

# Contents

---

<b>Guide to the appliance</b> . . . . .	3
<b>Warning and safety instructions</b> . . . . .	6
<b>Caring for the environment</b> . . . . .	9
<b>Before using for the first time</b> . . . . .	11
<b>Opening and closing the door</b> . . . . .	13
<b>Water softener/reactivation</b> . . . . .	14
Setting the water hardness level . . . . .	15
Filling the salt reservoir /add salt indicator light. . . . .	17/18
<b>Adding rinse aid/Rinse aid dosage setting</b> . . . . .	19/20
<b>Loading the dishwasher</b> . . . . .	21
Loading examples, cutlery. . . . .	22/23
Flap up racks, positioning rail, adjusting the upper basket. . . . .	26/27
<b>Not suitable for dishwashers</b> . . . . .	28
<b>Adding detergent</b> . . . . .	29
<b>Programme selection</b> . . . . .	33
<b>Programme chart</b> . . . . .	34
<b>Switching on and off</b> . . . . .	36
Starting a programme, programme sequence display . . . . .	36
Time display, end of a programme . . . . .	37
Interrupting a programme, programme change . . . . .	38
<b>Removing load</b> . . . . .	38
<b>Additional options/“Delay start” and “Top Solo”</b> . . . . .	39/40
<b>Cleaning and care</b> . . . . .	41
<b>Dealing with minor faults</b> . . . . .	47
<b>After sales service</b> . . . . .	50
<b>Special accessories</b> . . . . .	51
<b>Comparison tests</b> . . . . .	52
<b>Installation instructions</b> . . . . .	57
<b>Technical data</b> . . . . .	85

Miele dishwashers are available in three versions:

## 1. “Freestanding“ dishwashers

“Freestanding“ dishwashers do not require any special installation fixings in the kitchen.

A decor frame can be added to take a panel for matching the dishwasher to the kitchen fronts.

## 2. Integrated (“i“) dishwashers

“i“ dishwashers are specially designed for building under a continuous work-top.

The control panel with its accessories is included with the “i“ dishwasher in a separate package for on-site fixing. The front is designed to be fitted with a base unit front to match the kitchen furniture.

The dishwasher does not have a plinth fascia. The plinth area can be covered either with fascia to match your kitchen furniture if available, or another fascia. The separate plinth fascia can be fitted to match the height of adjacent plinths. The plinth return is freely adjustable.

All notes on installation are described in the chapter on "Installation instructions".

## 3. “U“ dishwashers

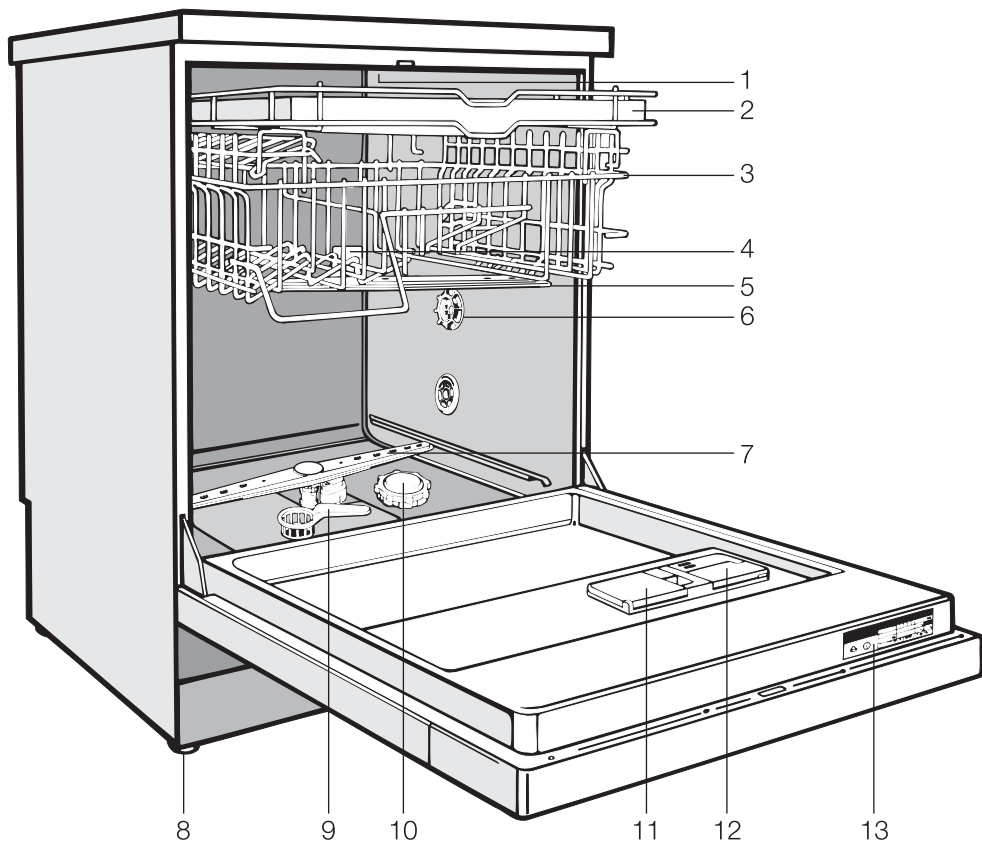
The built-under(“U“) dishwashers use the integrated (“i“) dishwashers as the basic machine.

By using a decor set (GDU) the “i“ dishwasher can be converted into a “U“ model dishwasher.

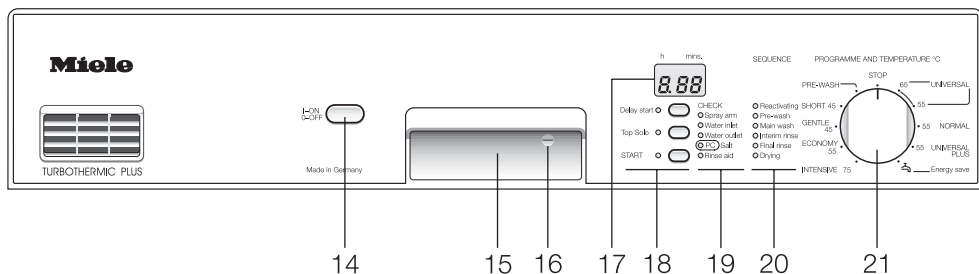
GDU installation instructions are included in a separate installation leaflet supplied with the decor set

# Guide to the appliance

## View of the machine



## Control panel (facia)



- 1 Upper spray arm (not visible)
- 2 Cutlery tray  
(standard depending on model)
- 3 Upper basket. (Design varies according to model, and may not match the one shown).
- 4 Water duct for middle spray arm
- 5 Middle spray arm
- 6 Water hardness selector
- 7 Lower spray arm
- 8 Four height adjustable screw feet
- 9 Filter combination
- 10 Salt reservoir
- 11 Dual compartment detergent dispenser
- 12 Rinse aid reservoir  
(with dosage selector)
- 13 Data plate
- 14 On/Off button
- 15 Door opener
- 16 Child safety lock
- 17 Time display
- 18 Pushbutton switches
- 19 Indicator lights
- 20 Programme sequence display
- 21 Programme and temperature selector switch

# Warning and safety instructions

---

This appliance conforms to current safety requirements. Inappropriate use can however lead to personal injury and damage to property. Read the operating instructions carefully before starting to use this machine. This way you will avoid the risk of accidents, and damage to the machine. Keep these instructions in a safe place for reference, and pass them on to any future user.

## Appropriate usage

This dishwasher is intended exclusively for cleaning domestic crockery and cutlery. Do not use for purposes other than those for which it was designed. Unauthorised use could prove dangerous.

The manufacturer cannot be held responsible for any damage caused by improper use or for uses other than those for which the appliance is intended.

## The following notes are to help avoid personal injury

To ensure stability integrated and built-under models must be installed under a continuous worktop which has been firmly screwed to neighbouring units.

The electrical safety of this appliance can only be guaranteed when continuity is complete between the appliance and an effective earthing system. It is imperative that this basic safety requirement is tested and where there is any doubt the electrical system in the house is checked out by a qualified electrician. The manufacturer can-

not be held responsible for damage caused by the lack or inadequacy of an effective earthing system, (electric shock for example).

For safety reasons do not operate this appliance on an extension cable. Danger of overheating.

A damaged appliance is dangerous. Switch off at the mains and call the Service Department for assistance.

Repairs may only be carried out by suitably qualified and competent engineers to ensure safety. Repairs by unqualified persons could be dangerous.

With the "Waterproof system", the plastic housing of the water inlet connection contains an electrical component. It must not be dipped in water.

Do not let small children play with the dishwasher and its controls or operate it.

There is a danger that children playing might shut themselves in the dishwasher. Please supervise its use by the elderly or infirm.

Do not use solvents in the dishwasher. Danger of explosion!

Avoid inhalation of powder detergents.

For appliances with the heating element in the wash cabinet do not touch the element during or directly after the end of a programme, you could burn yourself.

# Warning and safety instructions

---

■ Dishwasher detergents contain irritant or corrosive ingredients. They can cause burning in the mouth and throat if swallowed, or inhibit breathing. Keep children away from detergents and from the dishwasher when the door is open. There could be detergent residues in the appliance.

■ To avoid the danger of children coming into contact with the dishwasher detergent: Only put it into the detergent dispenser just before starting the programme, and then secure the door with the child safety lock. For models with "Delay Start" option make sure the detergent dispenser is dry before putting in detergent. Wipe dry if necessary. Detergent will clog if poured into a damp dispenser and may not be thoroughly dispensed. If the door is open at the end of a programme, children may come into contact with this residue.

■ Water in the dishwasher must not be used as drinking water.

■ Appliances with a cutlery basket: items of cutlery are cleaned and dried more efficiently if placed in the basket handles downwards. You may however, prefer to place cutlery with sharp points with the handles upwards.

■ Always disconnect the appliance from the electrical supply for maintenance work (switch off at wall socket and remove plug, screw out fuse in countries where this is applicable).

## The following notes should help to avoid material damage

■ The voltage and frequency shown on the data plate must match the mains supply in the house.

■ Only use detergents formulated for domestic dishwashers. Do not use washing-up liquid.

■ Do not use commercial or industrial detergents as these may damage material and there is a risk of severe chemical reaction.

■ Inadvertently filling the salt reservoir with dishwasher detergent always leads to damage to the water softener. Make sure that you have picked up the right packet of dishwasher salt before filling the salt reservoir.

■ Inadvertently filling the rinse aid reservoir with powder or liquid detergent always leads to serious damage to the reservoir. Only use rinse aid formulated for domestic dishwashers.

■ Do not sit or lean on the opened door. This could cause the dishwasher to tip and be damaged.

■ If your dishwasher has the heating element visible in the base of the wash cabinet, as far as possible always place plastic items in the top basket, and ensure they do not drop through. The plastic could melt or lose its shape near the heating element.

# Warning and safety instructions

---

■ The Miele Waterproof System offers protection from water damage, provided the following conditions are met:

- the dishwasher is correctly installed and plumbed in
- the dishwasher is properly maintained and parts are replaced where it can be seen that this is necessary
- the stopcock has been turned off when the machine is not used for a longer period of time (e.g. during holidays).

■ In countries where there are areas which may be subject to infestation by cockroaches or other vermin, pay particular attention to keeping the appliance and its surroundings in a clean condition at all times. Any damage which may be caused by cockroaches or other vermin will not be covered by the appliance guarantee.

## Disposal of your old machine

■ When disposing of an old dishwasher first make it unusable. Disconnect, cut off the cable and the plug from the cable.

Make the door lock inoperative, so that children cannot accidentally shut themselves in. Make appropriate arrangements for the safe disposal of the appliance.

The manufacturer can not be held responsible for any damage caused by non-observance of the Warning and Safety instructions.



### **Disposal of the packing material**

The transport and protective packing has been selected from materials which are environmentally friendly for disposal and can normally be recycled.

Rather than just throwing these materials away, please ensure they are offered for recycling.

### **Disposal of your old machine**

Old machines contain materials which can be re-cycled. Please contact your local authorities or scrap merchant about potential recycling schemes, before disposing of the appliance.

Ensure that the machine presents no danger to children while being stored for disposal. See the appropriate section in the Warning and Safety instructions.

# Caring for the environment

---

## Energy saving washing

These dishwashers are exceptionally efficient in their use of water and electricity. You can make the most of your appliance by following these tips:

- If your household water system is suitable, this dishwasher can be connected to a hot water supply, for further economies.

However, if your water is heated by electricity we would still recommend connection to cold water.

In the UNIVERSAL 55° programme, depending on the capacity of the dishwasher, when connected to hot water 55°C up to 0.7 kWh of electrical energy is saved. The hot water provides this energy, and the approx. 0.13 l oil or 0.14 m<sup>3</sup> natural gas needed to heat the water might be considerably more cost effective.

Although all stages of the wash then take place with hot water, savings are made in cost, time and energy.

- Make full use of the baskets without overloading the dishwasher for most economical washing.
- For small loads:  
Select the additional “Top Solo” function (see chapter “Additional functions”)
- Choose the programme to suit the type of crockery being washed and the degree of soiling.
- If baskets are only half full use the ECONOMY programme.
- Use the correct dosages of detergent.

# Before using for the first time

---

Before using for the first time please note the following points:

See the relevant chapters for detailed information on the points below.

## Setting the water softener

The water softener unit must be set to deal with the water hardness level in your area.

The salt reservoir must also first be filled with water and then with dishwasher salt. Never fill with dishwasher powder detergent.

Filling the salt reservoir with detergent by mistake will always damage the water softener. Please check every time before refilling that the package contains dishwasher salt.

## Add rinse aid

Only use rinse aid formulated for domestic dishwashers

Inadvertently filling the rinse aid reservoir with powder or liquid detergent, or washing up liquid, will damage the reservoir.

## Do not use washing up liquid

Only use detergent formulated for domestic dishwashers.

## Load the crockery correctly

Load the crockery so that water will come into contact with all surfaces. This ensures that they will be properly cleaned.

The spray arms must not be blocked by items which are too tall for the basket or which hang through. If necessary manually rotate the spray arms to test.

## Add the correct amount of detergent

Follow the detergent manufacturer's recommendations on how much detergent to use. Not using enough will lead to poor wash results.

The amount to dispense will depend on the type of detergent and programme selected.

Read the notes on dosage given in the programme chart.

Cleaning results may vary from brand to brand. If you are not satisfied with the results from one brand try another quality brand before contacting the Customer Service department for advice.

# Before using for the first time

---

## **It is important to choose the correct programme**

The NORMAL programme and the UNIVERSAL programmes are ideally suited to everyday loads. See the programme chart for descriptions of other programmes.

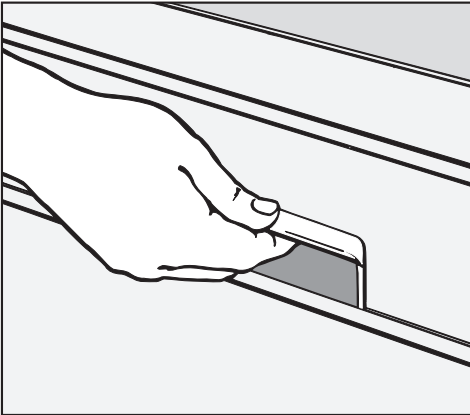
When the dishwasher is run for the first time the programme selected will not start for approx. 7 minutes. During these 7 minutes the “Reactivate” (Regenerate) programme step is carried out and the “Reactivate” indicator light illuminates.

## **The filter combination in the base of the wash cabinet and the spray arms must be kept clean.**

These should be regularly inspected and cleaned if necessary.

# Opening and closing the door

## To open the door



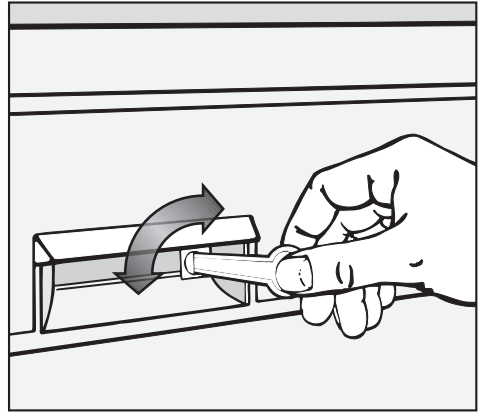
- Press the release catch inside the door grip.

If the door is opened during operation all functions are automatically interrupted.

## To close the door

- Push the baskets right in
- Lift the door upwards and push until it clicks into position

## Child safety lock



The child safety lock is designed to deter children from opening the dishwasher door.

- Use the key provided to turn the child safety lock to the required setting.



Horizontal setting = The door is locked.



Vertical setting = The door can be opened.

# Water softener

To avoid the build-up of calcium deposits on crockery and cutlery, and in the dishwasher the water needs to be softened.

To ensure a steady supply of soft water the built-in water softener must be:

1. correctly set and
2. the salt reservoir must be filled with dishwasher salt for reactivation.

The dishwasher is set at the factory to operate up to a hardness level of 400 mg/l (22 °d German scale)

If your water hardness level is different from this the factory setting will need to be changed according to the chart on this page.

Your local water authority will advise you on the water hardness of your area.

Where the hardness level fluctuates (e.g. 140-310 mg/l, 8 - 17 °d German scale) always take the highest value (value 17 °d in this example)!

- Please make a note of the water hardness level here:

Water hardness level: \_\_\_\_\_ mg/l

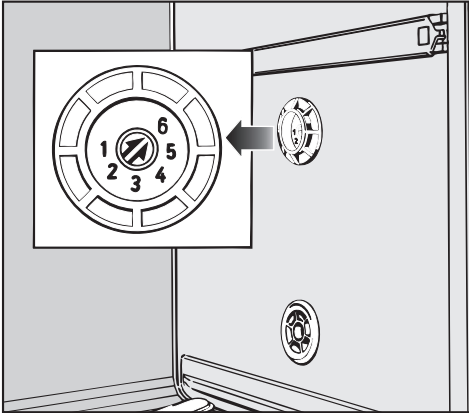
## Settings

°d	mg/l	°f	value for programming	water hardness level selector (Setting)
1	20	2	1	6
2	40	4	2	6
3	50	5	3	6
4	70	7	4	6
5	90	9	5	6
6	110	11	6	6
7	130	13	7	6
8	140	14	8	6
9	160	16	9	6
10	180	18	10	6
11	200	20	11	6
12	220	22	12	6
13	230	23	13	6
14	250	25	14	6
15	270	27	15	6
16	290	29	16	6
17	310	31	17	6
18	320	32	18	6
19	340	34	19	6
20	360	36	20	6
21	380	38	21	6
<b>22 *)</b>	400	40	22	6
23	410	41	23	6
24	430	43	24	6
25	450	45	25	6
26	470	47	26	6
27	490	49	27	6
28	500	50	28	6
29	520	52	29	6
30	540	54	30	6
31	560	56	31	6
32	580	58	32	6
33	590	59	33	6
34	610	61	34	6
35	630	63	35	6
36-47	650-850	65-85	36	4
48-65	860-1170	86-117	36	5
66-70	1190-1260	119-126	36	6

\*) factory setting

## To set the water softener

**Water hardness level of 20-630 mg/l  
(1 - 35 °d German scale):**



- Switch the dishwasher off.
- Use a screwdriver to remove the lid of the water hardness level selector in the wash cabinet.
- Check that the selector is set to setting 6 (factory setting). If not, use a flat blade screwdriver or a coin to turn the selector until it clicks on setting 6.
- Turn the programme selector switch to the "STOP" position.
- Press the "Delay start" and "START" buttons at the same time and at the same time switch the dishwasher on by pressing the "On/Off"-button.

A "P" and a figure appear in the time display.

- Set the programme selector switch to the "UNIVERSAL 55 °" position.

A figure appears in the time display corresponding to the water hardness level already set, e.g. "22" - the water softener is set to a water hardness level of 400 mg/l (22 °d German scale).

- Press the "Top Solo" button as often as necessary until the value of your water hardness appears in °d in the time display.

Example:

For a water hardness level of 540 mg/l (30 °d German scale).

Keep pressing the "Top Solo" button until "30" appears in the time display.

Once the figure "36" is reached the counter returns to "0".

Value "0" must not be set!

- Press the "START"-button x 2.

The change is stored in memory; the length of time of the selected programme appears in the time display again.

# Water softener

## Water hardness level of 650-1260 mg/l (36 - 70 °d German scale):

- Switch the dishwasher off.
- Turn the programme selector switch to the "STOP" position.
- Press the "Delay start" and "START" buttons at the same time and at the same time switch the dishwasher on by pressing the "On/Off"-button.

A "P" and a figure appear in the time display.

- Set the programme selector switch to the "UNIVERSAL 55 °" position.

A figure appears in the time display corresponding to the water hardness level already set, e.g. "22" - the water softener is set to a water hardness level of 400 mg/l (22 °d German scale).

- Press the "Top Solo" button as often as necessary until the value "36" appears in the time display.
- Press the "START"-button x 2.

The change is stored in memory; the length of time of the selected programme appears in the time display again.

The water hardness selector in the wash cabinet must be set according to the following chart.

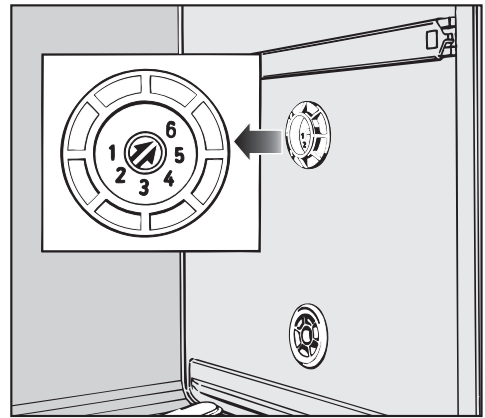
°d	mg/l	°f	value for programming	water hardness level selector (Setting)
36-47	650-850	65-85	36	4
48-65	860-1170	86-117	36	5
66-70	1190-1260	119-126	36	6 *)

\*) factory setting

### Example:

The water hardness level is 900 mg/l.

The water hardness level selector must be set to setting 5, 860-1170 mg/l (48 - 65 °d German scale).



- Using a screwdriver remove the cover from the water hardness selector.
- Use a coin or screwdriver to adjust the water hardness level selector in the wash cabinet. There is a click as each setting is reached.

For technical reasons do not set the selector to setting 1 - 3.



## Filling the salt reservoir

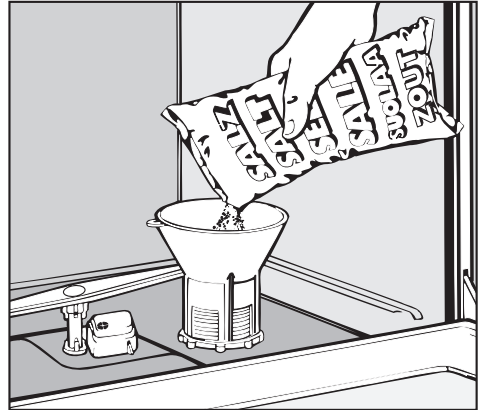
Please only use special coarse grained dishwasher salt for reactivation, as other salts may contain insoluble additives which can impair the functioning of the softener.

The salt reservoir holds approx. 2 kg of salt.

Inadvertently filling the salt reservoir with dishwasher detergent always leads to damage to the water softener.

Make sure that you have picked up the right packet of dishwasher salt before filling the salt reservoir.

- Remove the bottom basket.
- Unscrew the salt reservoir cap.



Before filling the salt reservoir for the first time:

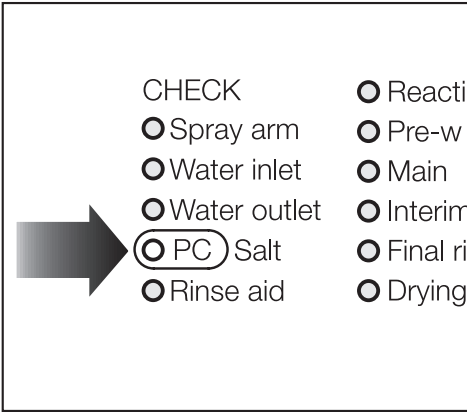
Fill the salt reservoir with approx. 2 litres of water.

- Place the funnel (provided) in place.
- Fill carefully with salt (As it is filled displaced water will run out).
- Clean salt from the screw threads of the socket.
- Screw the cap on firmly.
- Run the "PRE-WASH" programme immediately. This removes any traces of salt from the cabinet. This is not necessary if a "UNIVERSAL" or "UNIVERSAL PLUS" programme is run straight away.

# Water softener

---

## Salt indicator



When the salt reservoir is empty the "Salt" indicator light comes on. The reservoir should be refilled with dishwasher salt for reactivation.

After the reservoir has been refilled with salt the water softener is automatically reactivated either the next time the dishwasher is run or the time after that.

The "Reactivate" indicator light illuminates during this process.

## Note

The salt indicator light will come on if the water used is very soft, i.e. constantly at a level below 70 mg/l (4 °d). The salt reservoir is empty as no reactivation salt is needed with such soft water.

The light is of no significance in this case.

The "Salt" indicator light has also been designated for future programme updates, (see "After Sales Service").

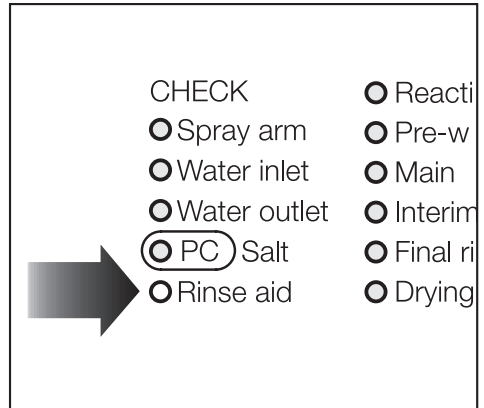
## Adding rinse aid

Rinse aid is necessary to ensure that water does not cling and leave marks on crockery during the drying phase. Rinse aid is poured into the storage reservoir and the amount set is dispensed automatically. The rinse aid reservoir holds approx. 130 cm<sup>3</sup>.

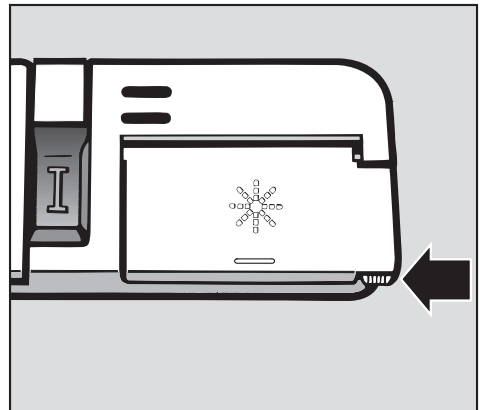
Inadvertently filling the rinse aid reservoir with powder detergent (or liquid detergent) always causes serious damage to the reservoir. Only pour rinse aid formulated for domestic dishwashers into the reservoir.

Although it is possible to use household vinegar with a max. 5% acid content, or liquid citric acid up to 50% acid as an alternative, the resulting rinsing and drying quality will not be as good as when rinse aid is used.

Do not use vinegar with a high acid content (e.g. vinegar essence 25% acid). This must not be used as its use would damage the dishwasher.

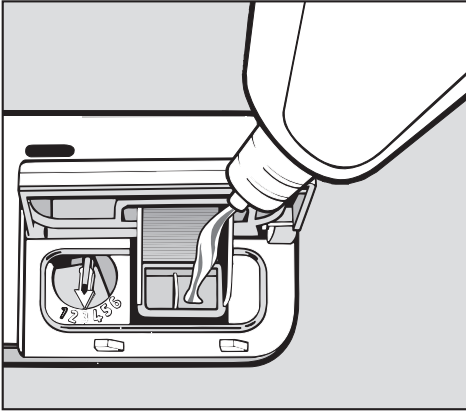


- Add rinse aid when the indicator light “Rinse aid” on the control panel comes on.



- Press the button (in the direction of the arrow) until the flap springs open.

# Adding rinse aid

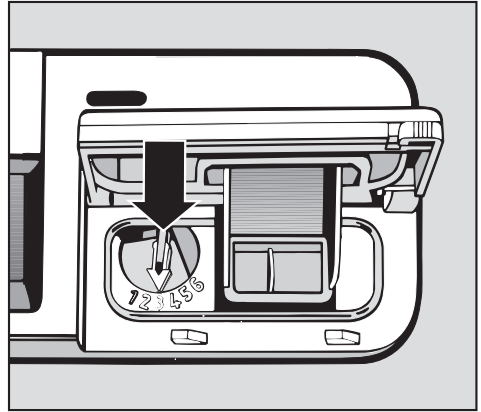


- Add rinse aid only until it is visible on the surface of the filter in the opening.
- Close the flap firmly. The flap must audibly engage, otherwise water could get into the rinse aid storage container during the programme.
- Mop up any split rinse aid. This prevents over-forming occurring during the next programme.

The flap should normally remain closed. Only open it for adding more rinse aid!

- Wait until the "Rinse aid" indicator on the control panel lights up before adding more rinse aid.

## Setting the dosage



The dosage adjuster (see arrow) in the opening has settings from 1 to 6. It is set to 3 at the factory, as the recommended dose. This setting dispenses approx. 3 ml rinse aid per programme.

- If there are flecks on glasses after drying use a higher setting.
- If smearing appears on crockery use a lower setting.

# Loading the dishwasher

---

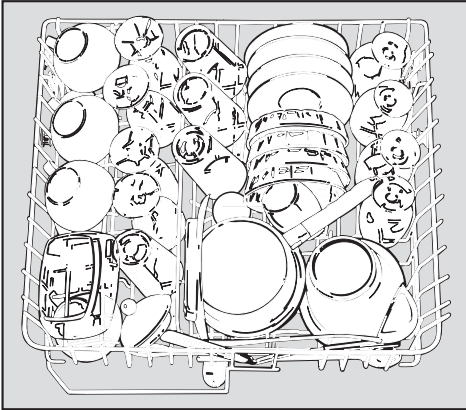
## Note

- Load the crockery so that water will come into contact with all surfaces. This ensures that they will be properly cleaned.
  - Do not place crockery and cutlery inside other pieces where they may be concealed.
  - Hollow items e.g. cups, glasses etc. must be inverted in the basket.
  - Deep based items should be placed at an angle such that water runs off them freely.
  - Tall narrow hollow pieces should be placed in the centre of the basket, rather than in the corners, to ensure good coverage of water.
  - Small pieces should be placed on the cup racks. Cups should be on the lower rack and bowls on the top rack so that water reaches all pieces.
  - The spray arms must not be blocked by items which are too tall for the basket or which hang through. If necessary manually rotate the spray arms to test.
- Some foodstuffs may contain natural dyes, e.g. carrots, tomatoes or ketchup. Plastic items in the dishwasher may discolour if large quantities of these foodstuffs find their way into the appliance on the crockery. The stability of the plastic items is not affected by this discolouration.

# Loading the dishwasher

## Loading examples

### Upper basket



Small, lightweight, delicate items such as cups, saucers, glasses, dessert bowls, etc.

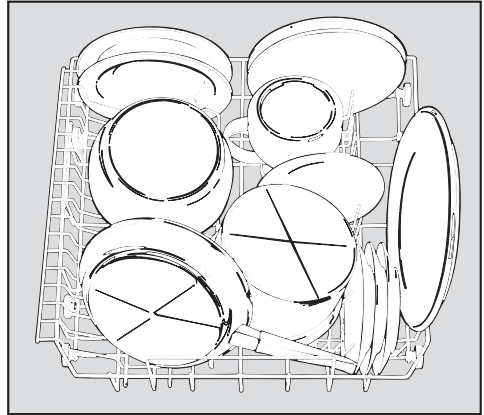
### Note for “Top Solo”

If a wash programme has been selected with the additional function “Top Solo”, all crockery must be loaded into the upper basket and cutlery tray. See the “Additional functions” chapter for further information.

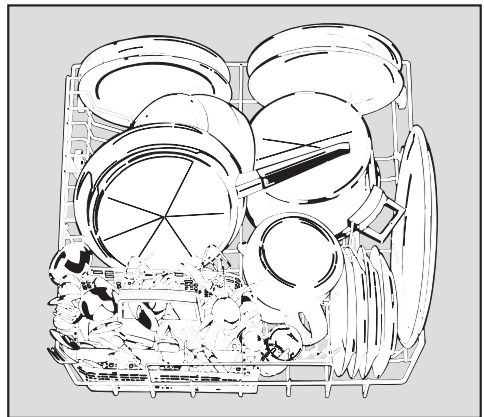
As the middle spray arm also directs water downwards, lightly soiled plates or platters can be placed in the bottom basket if there are large spaces between them. Do not place dishes, bowls or other hollow containers in the bottom basket. See Section on “Additional option - Top Solo”.

### Bottom basket

Larger and heavier items such as plates, serving platters, saucepans, bowls. Depending on the dishwasher model glasses may only be cleaned in the bottom basket if it is fitted with a special glassware insert or if there is a special bottom basket.



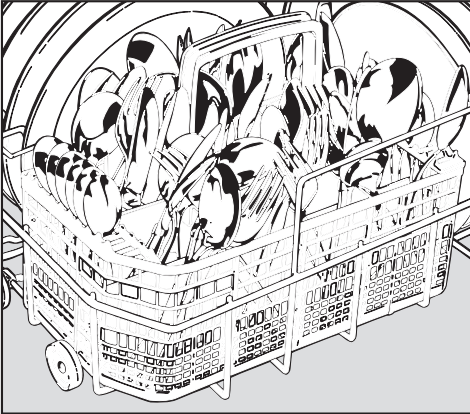
### Dishwashers with cutlery tray



### Dishwashers with cutlery basket

## Cutlery

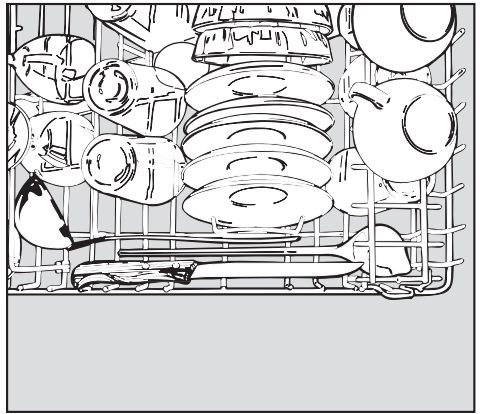
Dishwashers with cutlery basket:



Unsorted cutlery should be placed in the cutlery basket, handles facing downwards.

You may, however, prefer to place cutlery with sharp points with the handles upwards.

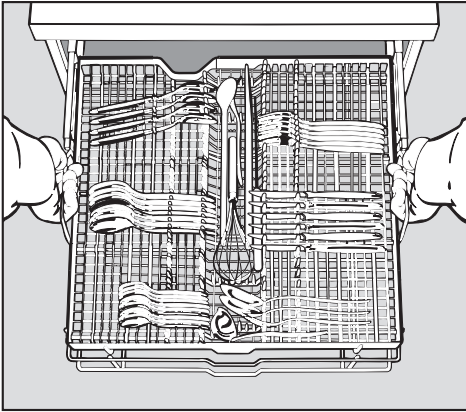
Place small spoons in the individual slots to either side of the cutlery basket.



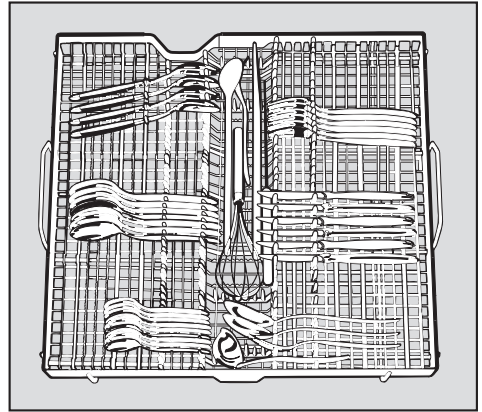
Larger items like soup ladles, long knives and mixing spoons should be placed lying down across the front of the upper basket.

# Loading the dishwasher

Dishwasher with cutlery tray  
(SC models):



The cutlery tray insert is removable. It can be completely removed from its frame and carried to the cutlery drawer, or table where it can be easily unloaded.

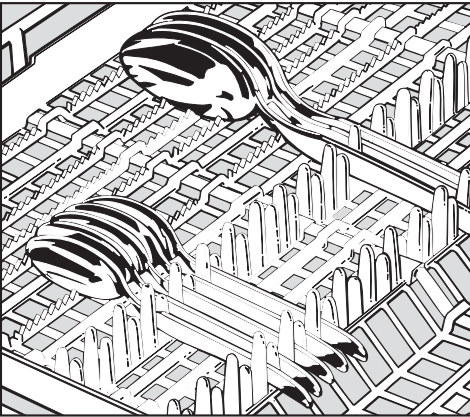


For best results cutlery should be grouped in zones, one for knives, one for forks, one for spoons etc. This makes unloading much easier.

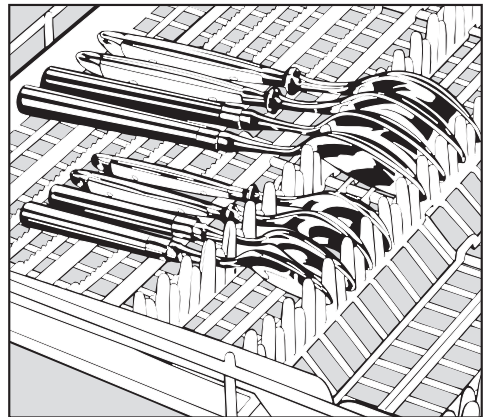
Larger items like sauce ladles, cake slices, long knives and mixing spoons can be placed lengthwise in the trough in the centre of the tray.



## Loading the dishwasher



Spoon heads should be placed in such a way that water runs off them freely.



Cutlery with round or oval handles should be placed with the heads in the grips as this prevents them slipping.

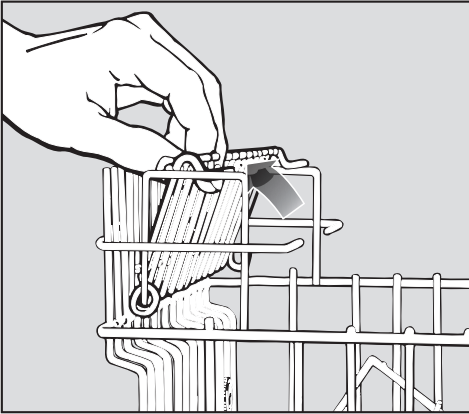
Ensure that spoon heads are in contact with at least one of the grips in the cutlery tray. This way they cannot collect water.

The upper spray arm must not be blocked by items which are too big, e.g. cake slices.

# Loading the dishwasher

---

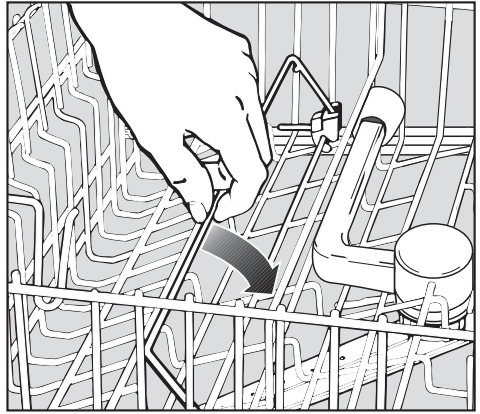
## Flap up racks



Can either be used for a second row of cups or raised upwards to make room for tall items.

## Positioning rail

(standard feature depending on model)



For easy sorting and removing of crockery the positioning rail can be rested to one side.

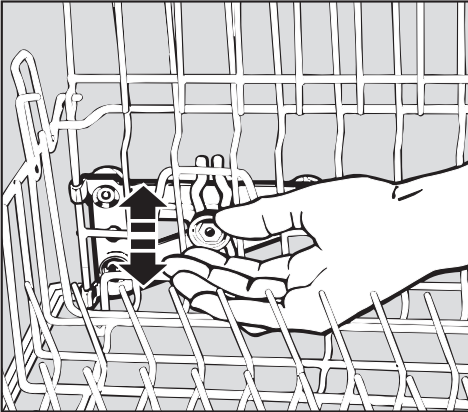
Raise it again afterwards so that crockery can rest against it in the basket.

# Loading the dishwasher

## Adjusting the upper basket

(depending on model)

In order to gain more space for taller pieces of crockery in the bottom or upper basket, the upper basket can be adjusted in three steps with 2 cm between each step.



- Pull out the upper basket and loosen the two locknuts on either side of the basket.
- Adjust the basket up or down to the right height.
- Tighten the locknuts.

The upper basket can also be set to an angle if required.

Depending on the setting of the upper basket the following dimensions can be accommodated:

### Dishwashers with cutlery tray

Upper basket position	Upper basket Ø cm	Lower basket Ø cm
Top	15.5	30
Middle	17.5	28
Bottom	19.5	26

### Dishwashers with cutlery basket

Upper basket position	Upper basket Ø cm	Lower basket Ø cm
Top	21.5	30
Middle	23.5	28
Bottom	25.5	26

# Items not suitable for dishwashers

---

- cutlery with wooden or horn handles,
- wooden or plastic chopping boards,
- glued items, e.g. old knives with handles which have been glued on,
- hand-made craft items,
- copper or tin items,
- plastic items which are not heat resistant.

## **Please note**

- Silver- and aluminium items can suffer some discolouration.
- Aluminium components (e.g. grease filter) must not be cleaned with caustic alkaline commercial or industrial detergents. This may damage material or, in extreme cases, cause severe chemical reaction.
- Silver, treated with a silver polish may still be damp or spotted at the end of a programme, where water has not run off smoothly. It may need rubbing dry with a soft cloth. Silver, treated in a silver immersion dip is usually dry at the end of a programme but may discolour.
- Colours painted over a glaze may fade after many washes.
- Clouding may occur on glasses after frequent washing.

## **We recommend:**

- Wash delicate glassware in the ECONOMY 55 ° - programme, (or for models where the programme is available, GENTLE 45°C). This will reduce the risk of clouding.
- There are no standard guidelines for washing glassware. When in doubt wash by hand.
- When purchasing new crockery, cutlery and glassware make sure they are dishwasher safe.

Only use detergents formulated for domestic dishwashers. Do not use washing up liquid.

Please note  
Dishwasher detergents contain irritant or corrosive ingredients. They can cause burning in the mouth and throat if swallowed, or inhibit breathing. Keep children away from detergent and from the dishwasher when the door is open. There could still be detergent residues in the cabinet.

To avoid the danger of children coming into contact with the dishwasher detergent:  
only put it into the detergent dispenser just before starting the programme.

## Selecting detergent

Recently almost all detergent manufacturers have launched new detergents with a different composition, in addition to standard types.

Should you experience difficulties when using these types of products, please contact Miele Customer and Technical Services Department, or the detergent manufacturer's own Advisory Service.

These new dishwashing detergents, although welcome from an ecological point of view, react to a different degree from conventional products to water hardness. The drawbacks may only become apparent after a prolonged period of use.

### **The following problems may occur:**

- White deposits on crockery and inner cabinet.
- Increased etching in the form of a bluish sheen on the surface of glassware.
- Discolouration of silverware.

**Appearances of this nature are generally caused by the detergent used and are not attributable to any malfunctioning of the dishwasher itself.**

# Adding detergent

---

## Preventive measures:

1. If you wish to continue using the new chlorine and phosphate-free products, the following is recommended:
  - Try out an environmentally friendly detergent of the same type from another manufacturer.
2. If you are still dissatisfied with the results, we recommend the use of chlorine-free but not phosphate-free detergent.
  - The instructions given in this book for setting the water softener and dispensing detergent remain valid.

3. If results are still not to your satisfaction, you should revert back to using conventional detergents containing both chlorine and phosphate.
  - The instructions given in this book for setting the water softener and dispensing detergent remain valid.

Should you experience difficulties when using these types of products, please contact the detergent manufacturer's own Advisory Service.

Dishwasher detergent must be added before each programme (except PRE-WASH).

- Pour powder or liquid detergent into the dispenser.
- Dishwasher detergent tablets can be put at various places in the wash cabinet, (follow the manufacturer's advice on the packet).

Detergent manufacturers give the required amount of detergent in ml (or g) on the packaging.

For the NORMAL programme and the UNIVERSAL programmes use at least 30 ml (or g) detergent unless advised to use more by the manufacturer, then use what they advise.

The amount to dispense will depend on the type of load and the programme selected.

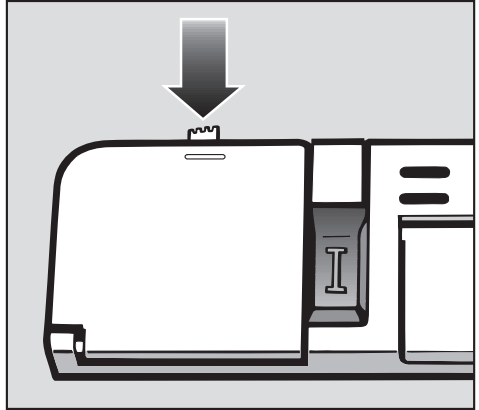
See the programme chart on the next pages for advice on amounts to dispense.

If you buy detergent in bulk please ensure that the container is always properly sealed after use. Otherwise the detergent can lose its effectiveness.

# Adding detergent

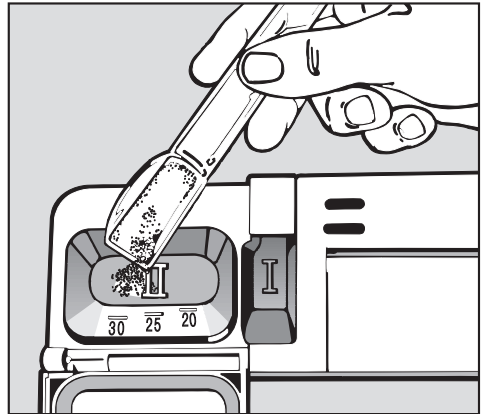
For information:

Compartment I takes max. 25 ml, Compartment II max. 80 ml. There are horizontal markers to assist with dispensing in compartment II, indicating the level in ml.



- Press the opening catch on the container flap.  
The flap will spring open.

The flap is always open at the end of a programme.



- Pour in the required amount of detergent.
- Shut the flap.



# Choosing a programme

---

Choose your programme according to the type of load and how dirty it is.

In most cases this will be the NORMAL programme or one of the UNIVERSAL programmes.

- NORMAL 55°
- UNIVERSAL 55° or 65°

These programmes are ideally suited to everyday loads, mixed loads with varying degrees of soiling.

For particular needs there are special programmes:

The different programmes and their uses are described on the next two pages in the Programme chart.

You can also choose the additional function "Top Solo" for each programme. See the "Additional functions" chapter for further information.

## Programme "Energy save"

- Use this programme for lightly to normally soiled crockery.

**For technical reasons a warm water intake of at least 45°C (temperature of the incoming water) is necessary for this programme.**

Water is not heated up in this programme.

Only approx. 0.20 kWh is used.

The drying result will not quite match that of a programme with a full drying cycle.

The higher the temperature of the water taken in (up to 60 ° max), the better the results obtained with this programme.

- The door of the dishwasher can be left ajar at the end of this programme to dispel vapour/moisture more quickly.

# Programme chart

Programme	When to use	Detergent		
		A <sup>1)</sup>		B <sup>2)</sup>
		Compartment I (Pre-wash)	Compartment II (Wash cycle)	Compartment II (Wash cycle)
Normal and Universal Programmes				
NORMAL 55°	for <u>normal</u> everyday loads, particularly suitable for chlorine-free detergents		100 %	100 %
UNIVERSAL 55 °	for <u>normal</u> everyday loads	20 %	80 %	100 %
UNIVERSAL PLUS 55 ° <sup>3)</sup>	as UNIVERSAL 55 °, but with longer wash time for heavily soiled loads, particularly suitable for chlorine-free detergents	20 %	80 %	100 %
UNIVERSAL 65 °	as UNIVERSAL 55 °, but with higher wash temperature for stubborn dried-on particles	20 %	80 %	100 %
Special Programmes				
ECONOMY 55 °	for <u>full</u> loads with <u>very light soiling</u> , e.g. coffee cups, or: for <u>half</u> a normal everyday load		50 %	50 %
Energy Save	for <u>light</u> and normally <u>soiled</u> loads, <u>select only if the dishwasher is connected to a hot water intake (minimum temperature 45 °C), (see Programme selection).</u>	20 %	80 %	100 %
INTENSIVE 75 °	for pots, pans and food preparation crockery with dried on particles of food and very heavy soiling	20 %	100 %	120 %
SHORT 45 °	"Quick programme", for lightly soiled crockery e.g. party crockery		50 %	50 %
GENTLE 45 °	"Gentle programme", for lightly soiled crockery and for heat sensitive crockery		50 %	50 %
PRE-WASH	for rinsing crockery to avoid smells if a complete cycle is not needed			

The amount dispensed will depend on the type of detergent being used:

**A <sup>1)</sup>** Use this method for:

- detergents containing phosphates and chlorine (except liquid detergent)

Divide the total amount proportionally between compartment I and compartment II.

**B <sup>2)</sup>** Use this method for:

- detergent which is chlorine and phosphate free
- detergent which is chlorine free but contains phosphates
- liquid detergent

In this instance the whole amount is placed in compartment II.

For the NORMAL programme and the UNIVERSAL programmes use at least 30 ml (or g) detergent unless advised to use more by the manufacturer, then use what they advise.

If "Top Solo" operation is selected, the appropriate amount of detergent according to the degree of soil should be added to compartment II only (approx. 2/3 of the total amount required for full load).

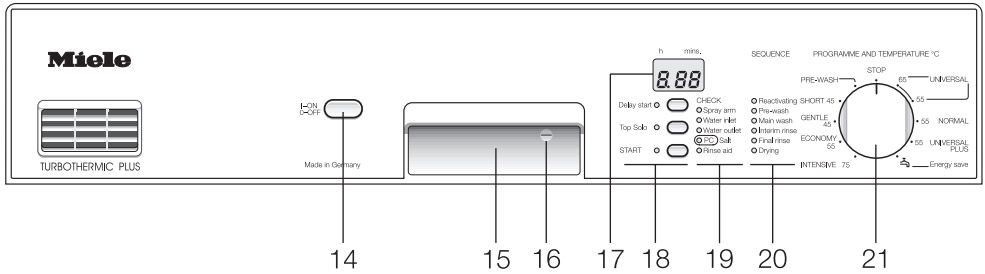
Programme cycle						Consumption		
						Energy	kWh	Water
1. Preliminary pre-wash	2. Prewash	Main wash	Interim-rinse	Final rinse	Drying phase	Water cold (15 °C)	Water hot (55 °C)	Litres <sup>4)</sup>
		X 55 °	X	X 65 °	X	1.2	0.6	13
	X	X 55 °	X	X 65 °	X	1.2	0.6	17
	X	X 55 °	X	X 65 °	X	1.2	0.6	17
	X	X 65 °	X	X 65 °	X	1.3	0.7	17
		X 55 °	X	X 55 °	X	1.1 <sup>5)</sup>	0.4 <sup>5)</sup>	13
X	X	X	X	X	X	–	0.2	22
X	X	X 75 °	X	X 65 °	X	1.6	0.8	22
		X 45 °	X	X 55 °		0.9	0.3	13
	X	X 45 °	X	X 55 °	X	1.1	0.3	17
	X					0.06	0.06	5

3) Standard programme (see chapter “Comparison tests”)

4) Average consumption values taken with water hardness level up to 310 mg/l, (17 °d) (see chapter “Water softener”).

5) with half loads (6 place settings)

# Switching on and off



## Switching on

- Close the door
- Open the stopcock (if it is closed).
- Press the “On/Off”-switch (14).

When the programme and temperature selector switch (21) is in the “STOP” position a dot lights up in the display field (17).

## Starting a programme

- Turn the Programme and temperature selector switch (21) clockwise or anti-clockwise to the required programme.

The length of the programme selected appears in hours and minutes in the Time display (17).

At the same time an indicator light illuminates next to the “START”-button (18).

- Before starting a programme select additional options “Delay start” or “Top Solo” if required (see chapter “Additional options”).
- Press the “START” button (18).

The indicator light next to the “START”-button goes out. The programme starts.

## Sequence indication (20)

After starting a programme the sequence indicator light (20) show the actual programme stage reached in a programme.

## Note:

The "Reactivation" process is carried out before a wash programme. It lasts several minutes. During this process only the "Reactivating" indicator light is on.

The hardness level of the inlet water dictates how often (after how many programmes) water needs to be softened.

For example with a water hardness degree of 380 mg/l (21 °d German scale) reactivation takes place after every 3 programmes. With a water hardness degree of 140 mg/l (8 °d German scale) reactivation only takes place after 11 programmes.

## Time display (17)

The time left for a programme to run shows in the display as the programme progresses.

The time displayed in the time display may vary with the same programme. This is partly dependent on the temperature of the inlet water on each occasion.

When the dishwasher is first switched on the display shows a time value for an inlet water temperature of approx. 15 °C, (test temperature set in the factory).

With subsequent programmes the electronic unit takes account of the new conditions and calculates the time required. This figure is then displayed when the machine is next switched on.

## End of a programme

A programme has finished when no indicator lights are illuminated in the programme sequence display (20) and a "0" shows in the time display.

The dishwasher can be opened and crockery unloaded. If it is left closed, the fan will continue for a few more minutes to diminish any remaining moisture.

This is recommended if the crockery is not required immediately. This process is extra to the wash programme.

## Switching off

At the end of a programme:

- Press and release the "On-Off - switch (14).

If the dishwasher is not to be used for a long period of time, e.g. whilst on holiday:

- Turn off the stopcock.

## Programme interruption

A wash programme is interrupted as soon as the door is opened. If the door is closed again the programme will continue from the position it was at when it was interrupted.

**Warning!**  
Water in the dishwasher may be hot. Danger of scalding. Only open the door if absolutely necessary and exercise caution when doing so. Hold the door for about 20 secs in the nearly closed position, before pushing it firmly shut.

## Programme change

A programme change can be made at any time. The newly chosen programme starts as soon as it has been selected.

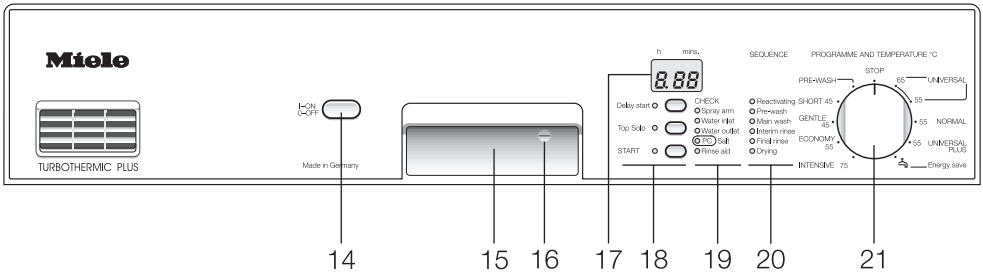
- Turn the programme selector switch to the required programme.

If a programme needs to be started from the beginning again:

- Turn the programme selector switch to the "STOP" position (a point appears in the display field).
- Select a new programme and press "START".

## Removing load

- Hot crockery will chip and break more easily.  
After switching off let it cool down in the dishwasher until it is comfortable enough to handle, before you unload it.
- If you open the door fully after switching off, the crockery will cool down much faster.
- First unload the bottom basket, then the upper basket and then the cutlery tray (if you have one) at the very end.  
This way you avoid water droplets from the upper basket or the cutlery tray falling on to crockery in the bottom basket.



## Delay start (18)

The starting time of a programme can be delayed up to 9 hours and 30 minutes (in 30 minute steps), e.g. to benefit from economy rates of electricity.

- Select a programme.

The duration of the selected programme shows in the time display (17) in minutes and seconds.

- Press the “Delay start” (18) button once for every 30 minutes delay required.

The programme duration goes out in the time display and the delay time is displayed in hours and minutes. The indicator light next to the “Delay start” button illuminates.

- Press the “START” (18).

The delay time counts down in minutes until the delay start period has elapsed.

The programme then begins automatically, and the programme duration and then the remaining running time of the programme is displayed in the display field.

### Example:

Press “Delay start” x 1 = 30 minutes delay.

30 (mins) shows in the display field.

Press “Delay start” x 2 = 1 hour delay.  
1.00 shows in the display field etc.

To avoid the danger of children coming into contact with the dishwasher detergent: Only put it into the detergent dispenser just before starting the programme, and then secure the door with the child safety lock.

When using the "Delay Start" option make sure the detergent dispenser is dry before putting in detergent. Wipe dry with a soft cloth if necessary.

## Additional options

---

### Top Solo (18) (for small amounts of crockery)

With this function the majority of the water is directed only to the top and middle spray arms in the dishwasher. This means that the water jets are aimed only at items in the upper basket and cutlery tray (where fitted).

This additional function is recommended when there is only a small amount of crockery and cutlery to clean which fits into the upper basket and the cutlery tray.

N. B.:

Lightly soiled plates or serving platters can still be placed in the bottom basket if there are large spaces between them. Do not place dishes or bowls or other hollow containers in the bottom basket.

In some instances adjusting the upper basket to the lowest position can make it easier to accommodate larger plates in this basket.

By using the Top Solo function water, detergent and energy savings are also made.

For example in the UNIVERSAL PLUS 55° programme only 11 litres of water are used instead of 17 litres and only 1.0 kWh of electricity instead of 1.2 kWh.

Because smaller amounts of crockery are being washed the amount of detergent recommended by the manufacturer can be reduced. Make sure, however, when reducing the amount dispensed that the cleaning result is not affected.

The Top Solo function can be selected with all wash programmes.

- Choose the programme

The length of the chosen programme appears in the time display (17) in hours and minutes.

- Press the “Top Solo” button (18). The indicator light next to the button illuminates.

The programme duration of the selected programme changes, (except for ENERGY SAVE and PRE-WASH).

- Press the “START” -button (18). The indicator light next to the “START” button goes out. The programme starts.

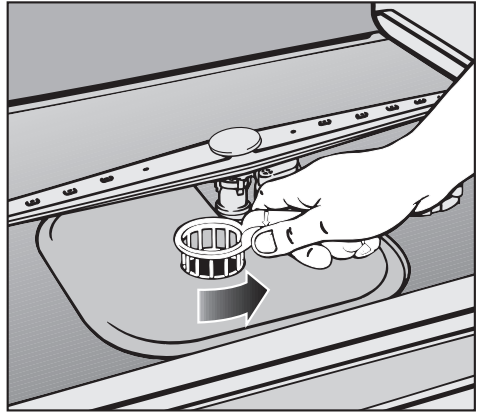
At the end of the programme the additional option is automatically cancelled.



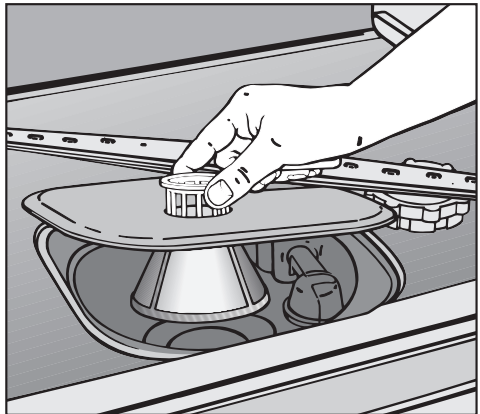
### Cleaning the filters in the wash cabinet

The dishwasher must not be used without all the filters in place!

The filter combination in the base of the wash cabinet should be regularly inspected and cleaned if necessary.



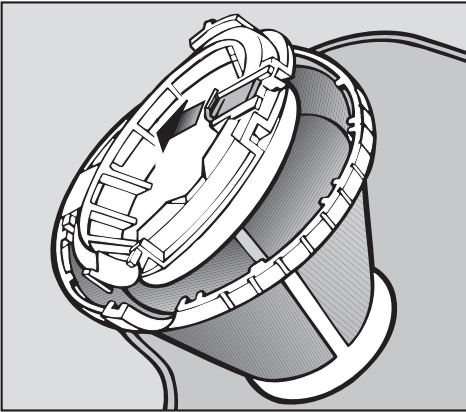
- Turn the handle anti-clockwise to release the filters.



- Lift and take the filter combination out of the machine. Remove coarse particles and rinse under running water. Use a nylon brush if necessary.

## Cleaning and care

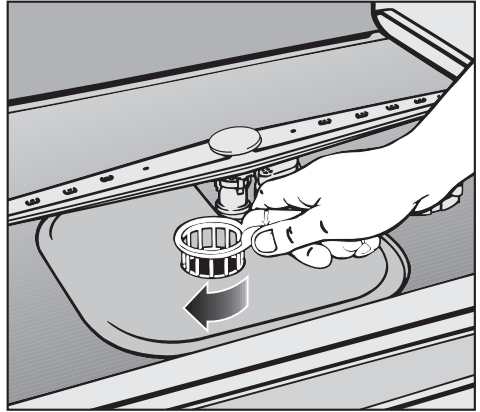
---



- Turn the filter combination over and open the coarse filter by pulling back on the locking device.
- Clean the coarse filter under running water, using a brush if necessary, and press the locking device back in.

### Important:

After cleaning make sure that the locking device is properly locked.



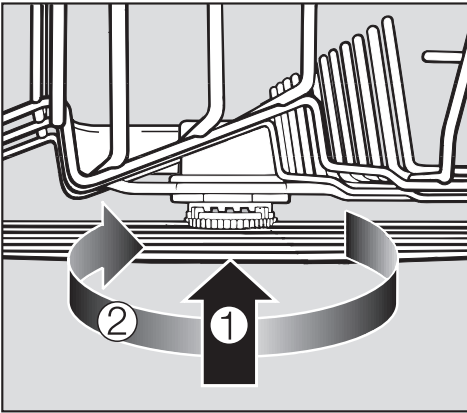
- Replace the filter combination so that it lies flat in the base of the wash cabinet. Secure the filter by turning the handle in a clockwise direction.

## Cleaning the spray arms

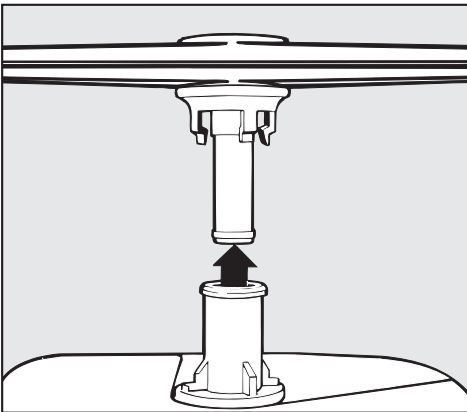
Particles of food can lodge in the spray arm jets.

The spray arms should be inspected and cleaned regularly (approx. every 6 months).

To do this remove the spray arms as follows.



- Lift up the middle spray arm ① to engage the tooth-wheel mechanism. Then unscrew the spray arm ②.



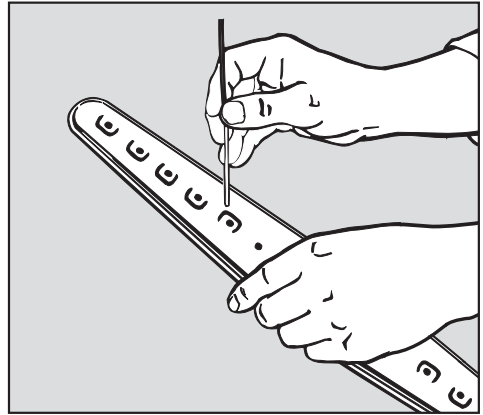
- Remove the lower basket and take out the lower spray arm.

## Dishwashers with cutlery basket:

- Unscrew the upper spray arm.

## Dishwashers with cutlery tray:

- Pull out the cutlery tray.
- Lift up the upper spray arm to engage the tooth-wheel mechanism and then unscrew the spray arm.



- Using a sharp pointed object push the food particles into the spray arm jets and rinse well under running water.

### Please note:

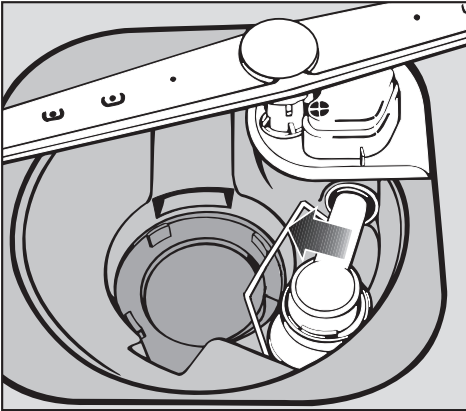
After replacing the spray arms check that they move freely.

# Cleaning and care

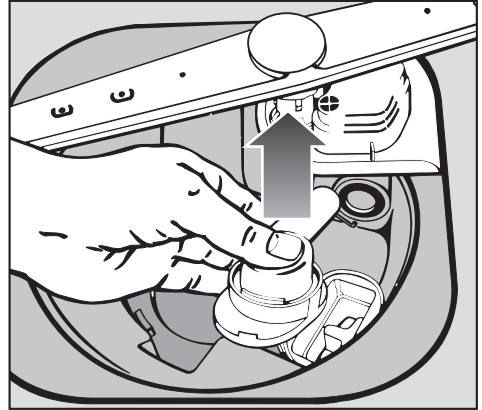
## Cleaning the drain pump and non-return valve

If water has not been pumped away at the end of a programme the drain pump or the non-return valve might be blocked. They are, however, easy to clean. Watch out for glass splinters, which could cause injury.

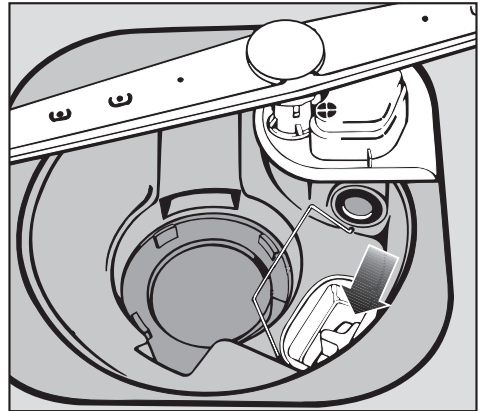
- Take the filter combination out of the wash cabinet.
- Use a jug or bowl to scoop water out of the wash cabinet.



- Raise the locking clamp.



- Lift up the non-return valve and rinse under running water.



The drain pump is situated under the non-return valve (see arrow).

- Before replacing the non-return valve check that the drain pump impeller turns with only slight resistance, and that there is no obstruction.
- Carefully replace the non-return valve and secure with the locking clamp.
- Replace and secure the filter combination.

## Cleaning the filter in the water inlet

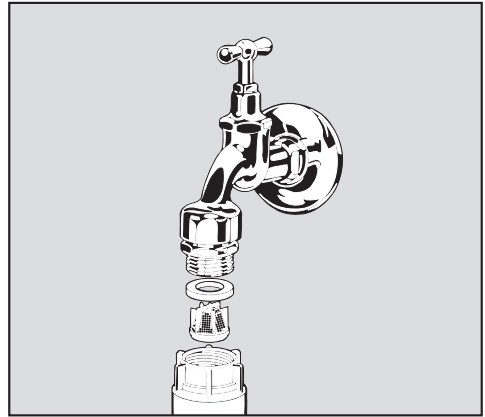
A filter is incorporated in the screw connection of the valve on the water inlet hose. The filter must be cleaned when dirty, otherwise insufficient water flows into the wash cabinet.

The plastic housing of the water connection contains an electrical component. It must not be dipped in water.

### Fitting an in-line water filter

If the mains water contains a large number of insoluble substances, we recommend fitting a large area filter in the connection between the stopcock and the water inlet hose threaded union. These filters can be obtained from the Miele Spares Department (Part No.: 75577).

### To clean the filter



- Disconnect the appliance from the mains supply (switch off at the main socket and pull out the plug, switch off the appropriate circuit at the fuse-box or withdraw the mains fuse).
- Turn off the stopcock and unscrew the inlet hose.
- Carefully remove the rubber seal.
- Withdraw the filter using pointed pliers and clean by rinsing under running water.
- Replace filter and seal. Make sure they are sitting correctly!
- Screw back into place on the water inlet, taking care that it goes back on straight.
- Turn on the stopcock gradually to test for leaks.  
If there is a leak:  
Screw the connections on more tightly.

# Cleaning and care

---

## Cleaning the wash cabinet

In general the wash cabinet is self-cleaning, provided that the correct amount of dishwasher detergent is used.

If however there are time scale or grease deposits these can be removed with a proprietary dishwasher cleaner.

## Cleaning the door and the door seal

- Wipe the door seal regularly with a damp cloth and remove any particles of food.
- Wipe away any residue of food and drink spillage from the sides of the dishwasher door. These are not part of the wash cabinet and are not reached by water from the spray arms.

## The fascia panel

- This should only be wiped with a damp cloth, or a suitable plastic cleaner.

Do not use an abrasive cleaner, a glass cleaner or an all-purpose cleaner. Because of their chemical composition they could cause serious damage to plastic surfaces.

## The front of the dishwasher

- Laminate fronts should be cleaned using a suitable proprietary cleaning agent.
- Fronts made from wood should only be cleaned using a damp cloth or leather and dried with a soft cloth.

Do not use any cleaner containing ammonia or thinners.

With the aid of the following explanatory notes, minor faults can be corrected without contacting the Miele Service Department.

Any work on the electrical components of the appliance should only be carried out by a suitably qualified and competent person in accordance with local and national regulations. Unauthorised repairs could be dangerous.

If, however, you are unable to correct the problem, the Miele Service Department should be contacted.

## Faults/possible causes

### The dishwasher does not start

- The door is not properly closed.
- The plug is not properly inserted.
- The fuse is defective/has blown.

### The dishes are not cleaned

- The dishes are incorrectly loaded.
- The correct amount of detergent was not dosed - see "Programme chart".
- The filters in the wash cabinet are not clean - see "Cleaning and care".
- The spray arm jets are blocked - see "Cleaning and care".
- The wrong programme was selected - see "Programme chart".

### White residue on cutlery and crockery

- No salt in the salt reservoir.
  - Fill the salt reservoir with dishwasher salt for reactivation - see section on "Water softener".
- Salt reservoir lid has not been screwed on properly.
- Not enough rinse aid.
  - Use a higher dosage setting - see "Adding rinse aid".

# Problem solving guide

---

## **The wash cycle is cancelled before the end and the “Water outlet” check light flashes**

- The drain hose is kinked.
- The drain pump is blocked – see “Cleaning and care”.
- Foreign bodies are obstructing the non-return valve - see "Cleaning and care".

Before removing the obstruction:

- Turn the programme selector to STOP.
- Switch off the dishwasher with the ON / OFF switch.

## **Water in the wash cabinet at the end of a programme**

- The outlet hose is kinked.
- The drain pump is blocked – see “Cleaning and care”.
- Foreign bodies are obstructing the non-return valve – see "Cleaning and care".

Before removing the obstruction:

- Turn the programme selector to STOP.
- Switch off the dishwasher with the ON/OFF switch.

## **Shortly after starting a programme the “Water inlet” check light flashes**

- The stopcock is shut.
  - Open the stopcock.  
The dishwasher should continue the programme.

If the programme does not continue:

- Turn the programme selector to STOP.
- Switch off the dishwasher with the ON/OFF switch.
- Start the programme again - see "Switching on and off".
- The filter in the screw connection of the valve on the water inlet hose is blocked - see "Cleaning and care".
- Too little water flows into the wash cabinet. This may be due to insufficient water pressure at the intake (flow pressure at the water inlet).

Before removing the obstruction:

- Turn the programme selector to STOP.
- Switch off the dishwasher with the ON/OFF switch.



## The “Spray arm” check light flashes

- The middle spray arm is obstructed by crockery.
  - Open the dishwasher door and remove the obstruction.
- The spray are jets are blocked - see "Cleaning and care".

Before removing the obstruction:

- Turn the programme selector to STOP.
- Switch off the dishwasher with the ON/OFF switch.

## The “Water inlet” check light comes on during the “Energy save” programme.

For technical reasons the “Energy save” programme requires a warm water intake temperature of at least 45 °C (temperature of the inflowing water) – see also “Programme selection”.

If the inflowing water does not reach the necessary temperature the indicator light “Water inlet” illuminates.

One reason for this may be that the domestic hot water system has been over-used for a short period of time.

This can, in certain instances lead to the crockery not being properly cleaned.

- If necessary repeat the programme.
- If the “Water inlet” indicator light comes on again select a different programme.

## The wash cycle finishes too early and three horizontal lines “---” appear in the time display.

- Turn the programme selector to STOP.
- Switch off the dishwasher with the ON/OFF switch.

After a few seconds:

- Switch on again with the ON/OFF switch.
- Select the programme again and start.

If the lines are still visible in the display there is a technical fault.

- Please call the MIELE Service Department.

In certain circumstances you can still wash with the "Energy save" programme (using hot water) and "PRE-WASH". As the programme progresses the time left is displayed again in the time display.

# After sales service

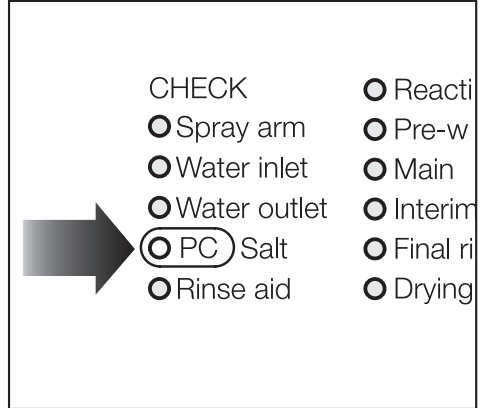
---

## After sales service

- If you are unable to remedy a problem yourself, please contact:
  - your Miele Dealer or
  - the Miele Service Department.
- See back cover for addresses.
- Please quote the model type and number of your appliance. This information can be found on the data plate inside the door.

## Future updates

The LED marked PC is reserved for the service engineer, for updates in future years to your machine.

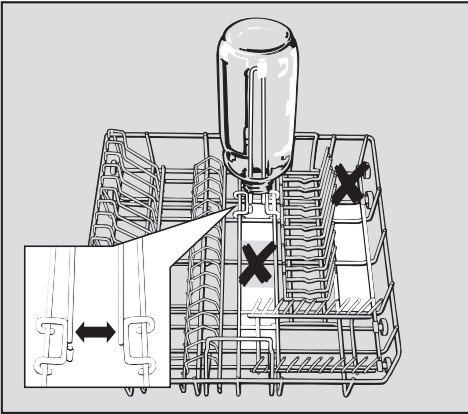


When for example technological developments offer advanced modifications to your existing programme cycles, a service engineer will be able to input these into your machine controls.

Miele will provide information when such possibilities become available.

## Bottle holder

(depending on model)



The bottle holder (e.g. for milk or baby bottles) can be used in the bottom basket.

To achieve good cleaning results the bottle holder should only be placed in the positions marked white – and on no account in the positions marked with an X.

Other special accessories e.g. special inserts for glasses or plates, etc. are available through your Dealer or the Spare Parts Department. See the following list.

## Installation - special situations

**Brackets** to fix the dishwasher under a marble-type worktop.

**Conversion kit (UBS) freestanding dishwasher into a built under model** when a freestanding dishwasher is to be installed under a work surface run.

**Building-under kit (GDU)** to modify an integrated "i" dishwasher to a built-under dishwasher.

**Extended machine feet** where a height of up to 92 cm is required.

**Plinth facia kit for "i" dishwashers** for kitchens without a complete plinth facia run.

**Adapter strips for "i" dishwashers** to match the control panel facia to the adjacent drawers.

## Inserts

**Glass inserts for the bottom basket**, (only available for models with removable inserts in the bottom basket).

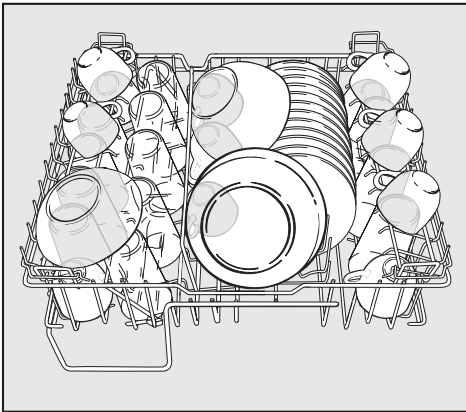
**Glass inserts for the upper basket**, especially for glasses which need a special support.

# Comparison tests

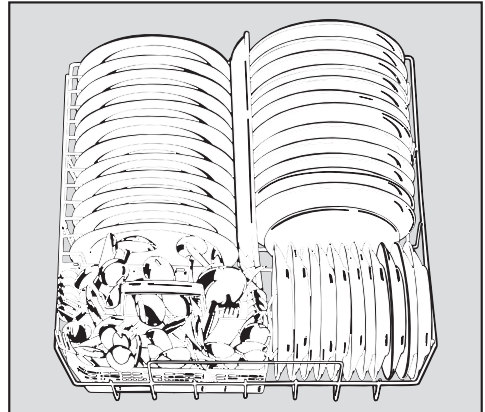
---

<b>Test standard:</b>	IEC 436 / DIN 44990 / IEC 704 / prEN 50242
<b>Amount washed:</b>	12 place settings (full load)
<b>Programme tested:</b>	UNIVERSAL PLUS 55 °
<b>Amount of detergent:</b>	If using a detergent containing chlorine: 5 g in compartment I, and 25 g in compartment II. If using a chlorine-free detergent: 30 g <u>only</u> in compartment II.
<b>Rinse aid dispensing:</b>	Setting 3 (approx. 3 ml, set at factory)
<b>Measuring noise:</b>	Before starting a programme to measure noise, the dishwasher door must first be opened completely. Doing this will automatically close the vent exit for the turbothermic drying process as in daily use.

## Dishwashers with cutlery basket



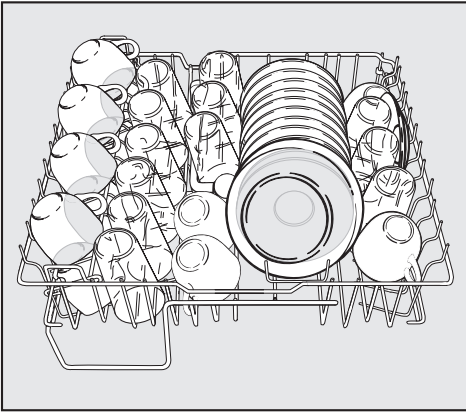
**Upper basket**



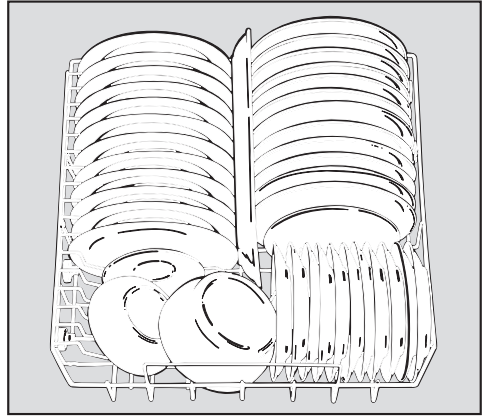
**Bottom basket**

These illustrations show how 12 place settings can be loaded. For normal mixed loads see “Loading the dishwasher”.

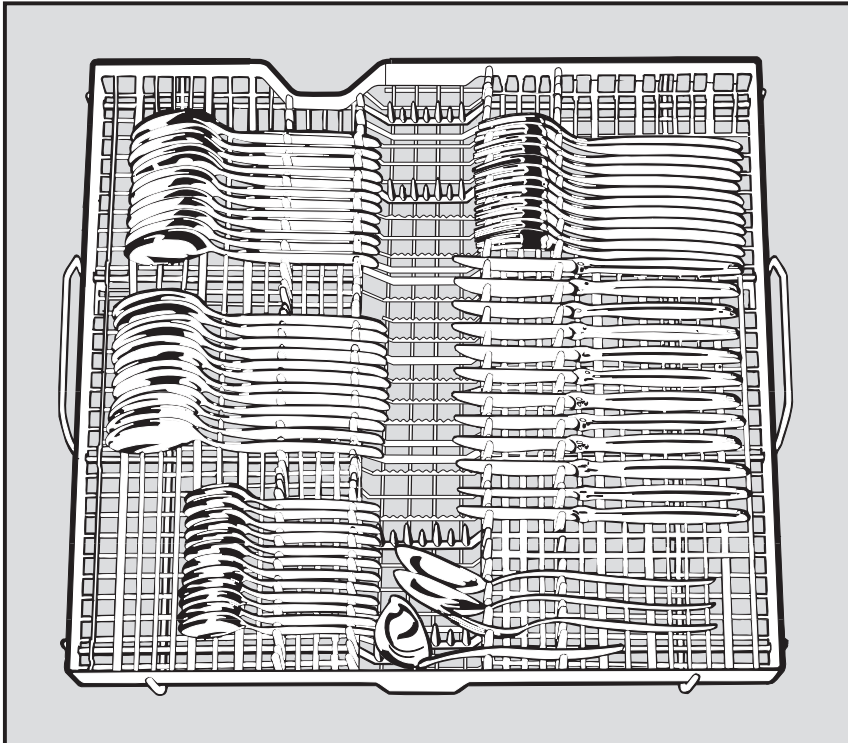
## Dishwashers with cutlery tray



Upper basket



Bottom basket



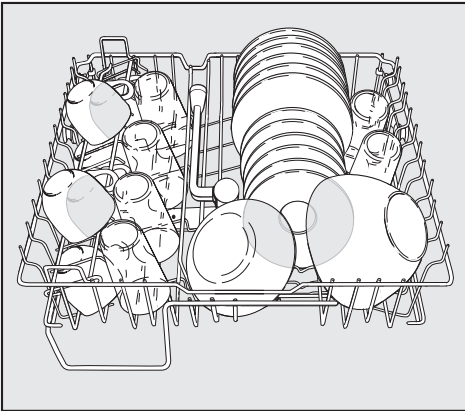
Cutlery tray

# Comparison tests

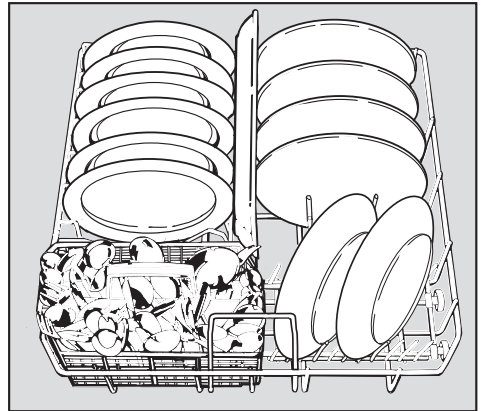
---

<b>Test standard:</b>	EC 436 / DIN 44990 / IEC 704 / prEN 50242
<b>Amount washed:</b>	6 place settings (half load)
<b>Programme tested:</b>	UNIVERSAL PLUS 55 ° with “ <u>Top Solo</u> ”
<b>Amount of detergent:</b>	20 g <u>only</u> in compartment II
<b>Rinse aid dispensing:</b>	Setting 3 (approx. 3 ml, set at factory)
<b>Measuring noise:</b>	Before starting a programme to measure noise, the dishwasher door must first be opened completely. Doing this will automatically close the vent exit for the turbothermic drying process as in daily use.

## Dishwashers with cutlery basket

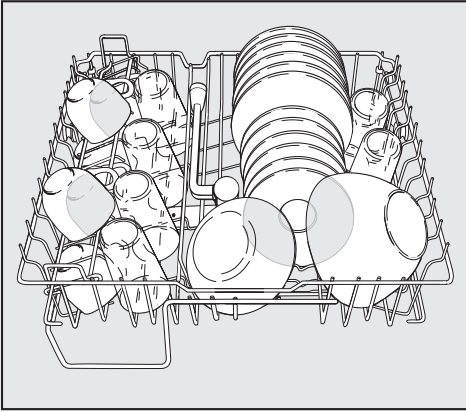


**Upper basket**

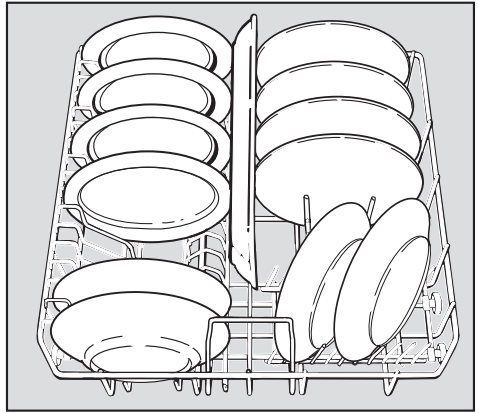


**Lower basket**

## Dishwashers with cutlery tray



**Upper basket**



**Lower basket**

### **Cutlery tray**

Double the distance between the pieces of cutlery in the cutlery tray.





# Installation instructions

# Contents

---

<b>Installing a freestanding dishwasher</b> . . . . .	59
1. Establishing height of the decor panel . . . . .	60
2. Matching the door height . . . . .	62
<b>Installation integrated "i" dishwashers</b> . . . . .	66
1. Fit worktop protection ("niro" stainless steel coverplate) . . . . .	67
2. Building the dishwasher into a niche . . . . .	68
3. Fitting the fascia panel . . . . .	71
4. Matching the fascia panel to the dimensions of the adjacent drawer fronts . . . . .	72
5. Fitting the (matching) door front . . . . .	73
6. Adjusting the door springs . . . . .	76
7. Levelling and securing the dishwasher . . . . .	76
8. Matching the plinth fascia of a kitchen run . . . . .	78
<b>Electrical connection</b> . . . . .	79
<b>Plumbing</b> . . . . .	81
Connection to the water inlet . . . . .	81
Drainage . . . . .	83
<b>Technical data</b> . . . . .	85

# Installing a freestanding dishwasher

---

## "Freestanding" dishwashers

- The dishwasher must be level and stable when installed.
- Any unevenness in the floor level can be compensated for by adjusting the four screw feet.

The adjustment range is approx. 1 cm (85 - 86 cm total height).

## Height adjustable door

The freestanding dishwasher is fitted with a height adjustable door, to match adjacent kitchen units. The adjustment range is approx. 7 cm.

The decor panel of the dishwasher can be exchanged for a panel to match your kitchen decor.

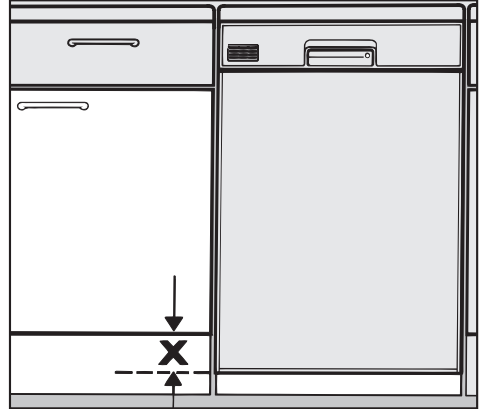
With a (UBS) conversion kit (freestanding dishwasher into a built under model), a freestanding dishwasher can be installed under a work surface run.

# Installing a freestanding dishwasher

---

## 1. Establishing the height of the decor panel

Adjust the dishwasher to the height required before establishing the height of the decor panel. The upper edge of the control panel facia and the top edge of an adjacent door or drawer must be at a matching height.



Measurement "X" equals the distance from the lower edge of the dishwasher door to the lower edge of an adjacent kitchen unit door front.

The decor panel supplied has a height of 604 mm. This or a new decor panel must be shortened by the measurement "X" for matching.

# Installing a freestanding dishwasher

---

## Adapting the height of the decor panel supplied

- Mark the measurement "X" on the left and right hand side of the decor panel and on the decor frame strips.
- Take off and shorten the decor frame strips (see Step 2), the decor panel and the packing card.

## Establishing the height of a new decor panel

The decor panel supplied with the dishwasher can be exchanged for a panel to match your kitchen decor.

The new panel must have the following measurements:

Width:

587 mm

Thickness:

Minimum 1 mm and maximum 4 mm. The packing card originally supplied behind the decor panel must be removed for new panels with a thickness of more than 2 mm.

Height:

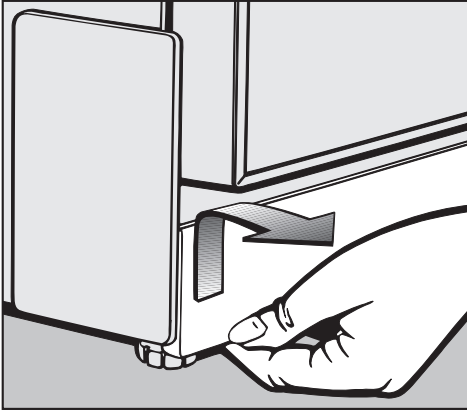
604 mm minus "X" mm

- Mark the measurement "X" on the left and right hand side of the decor frame.
- Take off the decor frame strips (see Step 2), the decor panel and the packing card, and shorten the decor frame strips, and the packing card (if used).

# Installing a freestanding dishwasher

## 2. Matching the door height

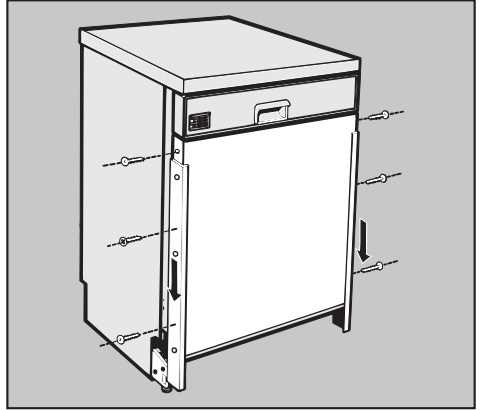
The plinth fascia and the cover caps at the sides must be removed before the decor frame strips can be unscrewed.



- Push the plinth fascia upwards and pull forwards out of the fastening.

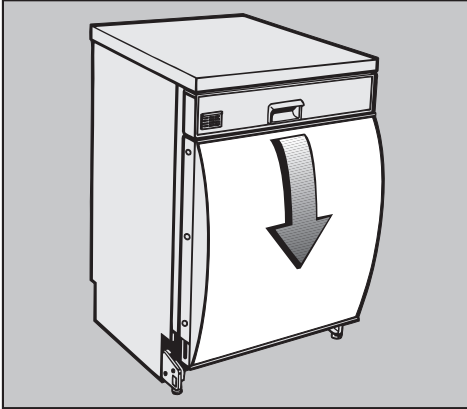


- Take off the side cover caps.



- Loosen and remove the fixing screws and push the side decor frame strips downwards until they are free of the dishwasher outer door panel and can be removed.

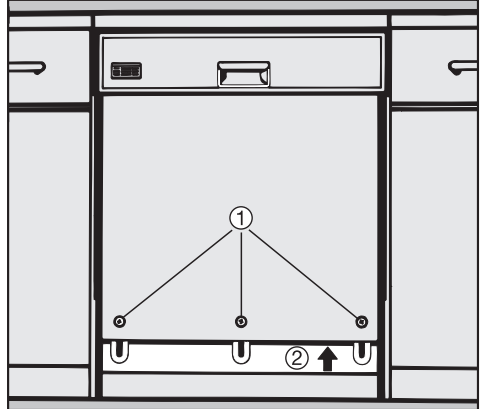
# Installing a freestanding dishwasher



- Bow the panel slightly, draw out from under the control fascia and remove.
- Shorten the decor frame strips, and the packing card (if used) by measurement "X".
- When using the decor panel supplied: Draw a line to join the two marks for measurement "X". Shorten the decor panel along this line.

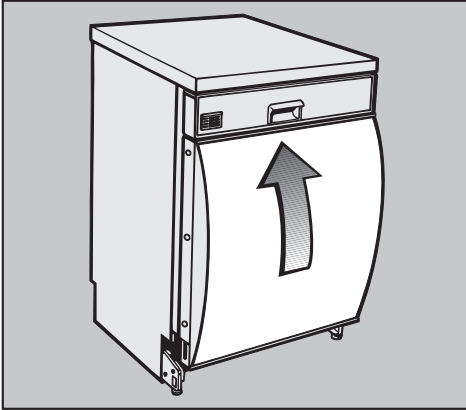
## Note:

When the decor frame strips are shortened, the hook at the lower edge is cut off. It is however only needed for full length decor frame strips to give additional fixing to the door outer panel.

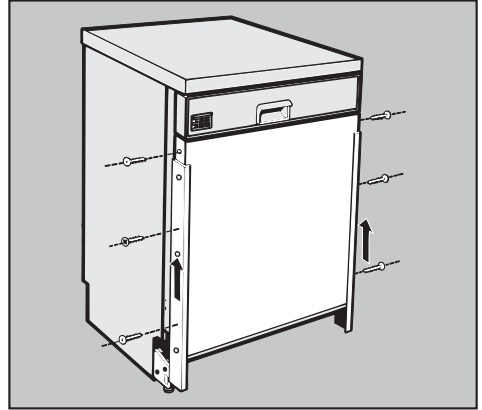


- Loosen the screws ① in the door outer panel, but do not screw out completely.
- Push the lower edge of the adapter plate ② (corresponding to measurement "X") upwards far enough for its lower edge to be in a line with the lower edge of the adjacent kitchen unit door front(s).
- Tighten the screws ① in the adapter plate.

# Installing a freestanding dishwasher

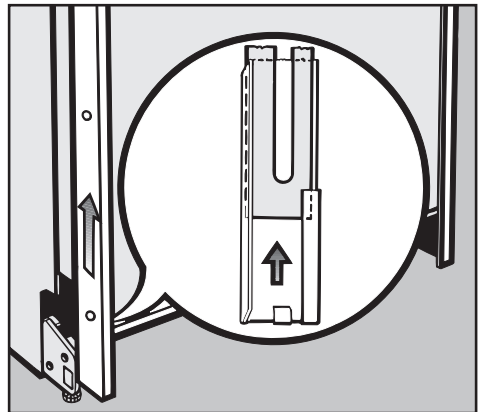


- Refit the packing card (if used) and the decor panel. Fit the decor panel into the lower decor frame strip, position the packing card behind it, bow the decor panel forwards and slide under the control facia panel.
- Ensure the decor panel sits correctly. If necessary readjust the height of the adapter plate.



- Put back the left and right hand side decor strips and slide under the control panel from beneath.

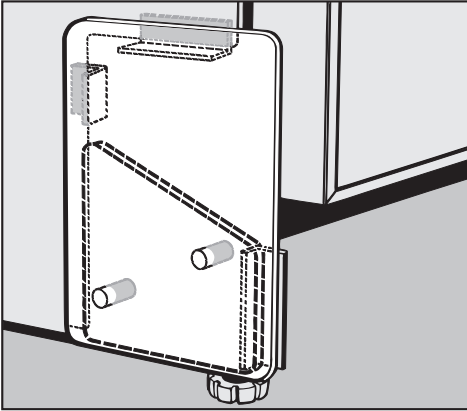
The adapter plate must grip the guide groove at the rear edge of the decor frame strip.



- Screw in the fixing screws for the decor frame strips.



# Installing a freestanding dishwasher



- Fit the side cover caps.



- Push the plinth strip into the fixing ① and then press downwards ②.

Please note:

The plinth strip must engage in the side cover cap.

# Installing integrated “i” Dishwashers

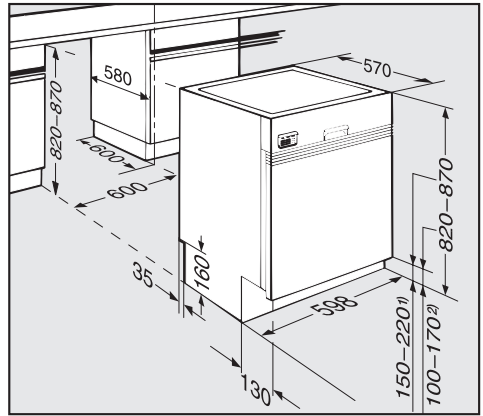
The “i” model dishwashers are specially designed for building under a continuous worktop.

The front can be fitted with a base unit front to match the kitchen furniture.

By using a decor set GDU “i” model dishwashers can be converted into a built-under “U” model dishwasher. The decor set is supplied with a separate installation instruction leaflet.

To ensure stability, these dishwashers must only be installed under a continuous worktop which must be securely screwed to neighbouring units.

Dimensions:



- 1) with 870 mm machine height
- 2) with 820 mm machine height

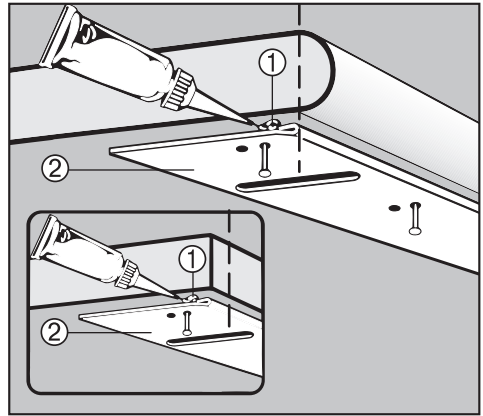
Range of adjustment approx. 5 cm (82-87 cm total height).

Extended machine feet are available at extra cost, (special accessory). These can be used for a machine height of 87 to 92 cm.

# Installing integrated “i” Dishwashers

## 1. Fit worktop protection

A stainless steel “niro” coverplate is supplied with the machine to protect the underside of the worktop against steam rising from the machine. The coverplate is supplied as standard with “i” models.



- Squeeze sealant from the tube supplied ① into the angle of the “niro” plate.
- Align the “niro” plate ② to the front edge of the worktop - see illustration - and then use tacks supplied to nail the “niro” plate to the underside of the worktop.

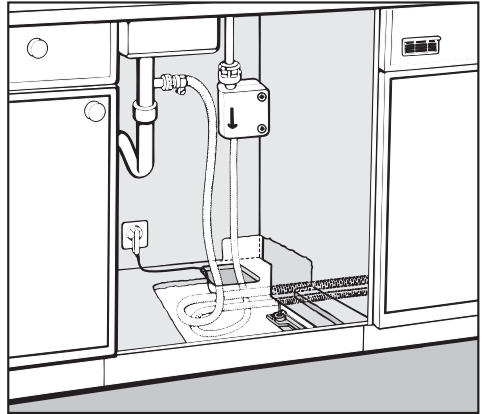
On worktops with wood or laminate edging, the tacks should be nailed through the holes further back from the edge.

# Installing integrated “i” Dishwashers

## 2. Building the dishwasher into a niche

Connection to water and drainage should be sited beside and not behind the dishwasher for accessibility. Connections are usually made in the area under the sink. Many kitchen unit manufacturers provide a cutout in the base of the sink base unit for the hoses to be fed through.

If the base unit has no opening and if there is not an opening through the plinth area for connections, one must be cut. Suggested dimensions: 60 x 110 mm.

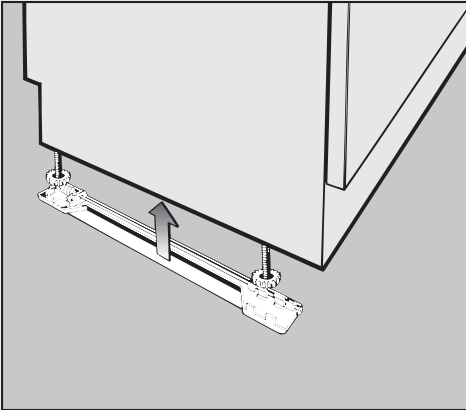


For some installation steps it is necessary to pull the dishwasher slightly out of the recess. Therefore do not make these connections until last.

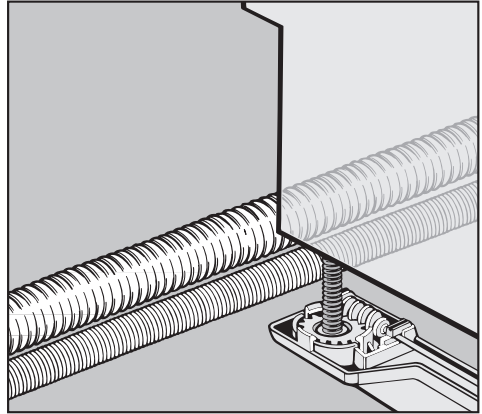
# Installing integrated “i” Dishwashers

The slides make installation of the dishwasher easier and protect the floor from possible damage when moving the appliance into and out of the recess. They are also used for adjusting the height of the rear screw feet.

- Adjust the height manually before installing the dishwasher. Leave a space of approx. 5 mm below the worktop to allow the dishwasher to be pushed back easily into the recess. Make sure that the dishwasher stands level.

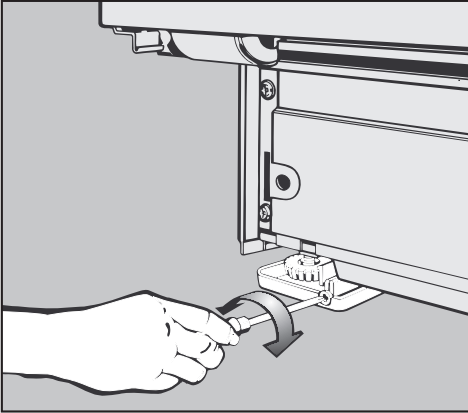


- Press the slides - with the ratchet at the rear - under the screw feet.



- Push the dishwasher right back into the recess. Ensure that drain hose, inlet hose and electric cable are laid to reach the connection point without any kinks.

# Installing integrated “i” Dishwashers

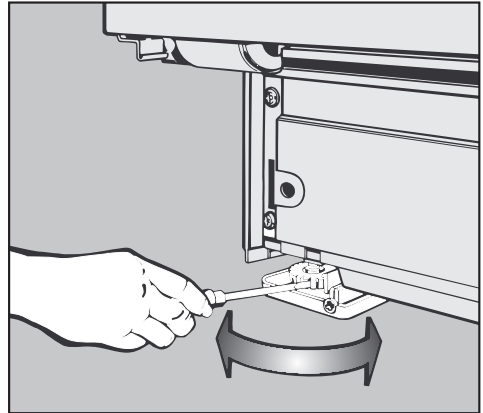


- Adjust the rear screw feet to the required height.

Higher = turn clockwise

Lower = turn anti-clockwise

Several turns are needed to adjust 1 mm in height. A battery-powered screwdriver could be used.



- Adjust the front screw feet manually or with a flat blade screwdriver.

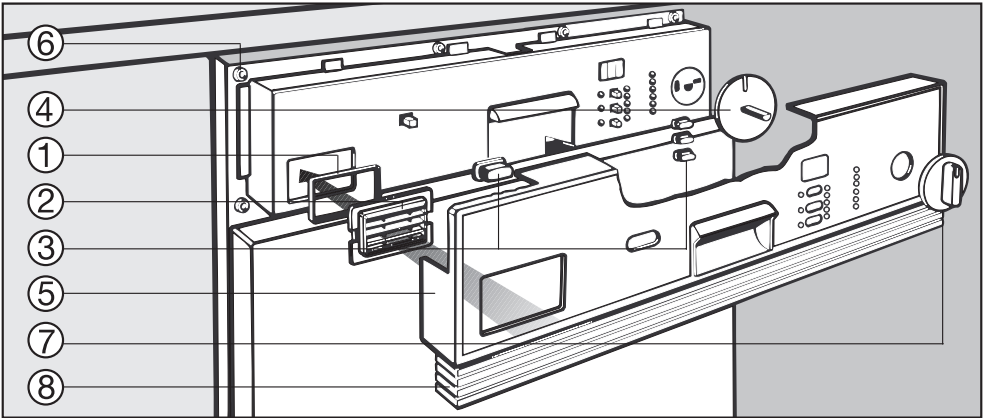
It is easier to adjust the screw feet if the weight of the dishwasher is not bearing down on them.

- If possible tip the machine slightly.
- For fine adjustments it may be necessary to press with a screwdriver against the cogs of the feet.

Screw the feet out until the dishwasher is right up against the underside of the worktop, to which it will be screwed later. Ensure that the dishwasher stands level.

# Installing integrated "i" Dishwashers

## 3. Fitting the fascia panel



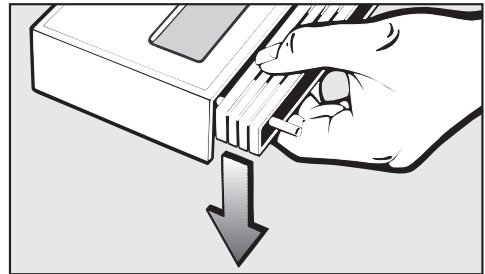
The fascia panel is delivered separately in the colour ordered with the necessary accessories.

It has to be fitted to the dishwasher when it is being installed.

- Place the seal supplied ① in the groove round the ventilation grille ②.
- Push the ventilation grille ② into position.
- Attach caps ③ to the push button switches.
- Fit the adapter disc ④ .
- Place the fascia panel ⑤ in position and screw into place from the inside using the six screws ⑥.
- Attach the switch knob ⑦.

**Only applicable when using the GDU decor set** (to convert an "i" version to a built-under "U" version)

If the GDU decor set is being used, the adapter strips ⑧ must first of all be removed, and stored for possible use in the future. See also the separate instructions for fitting the GDU decor set.

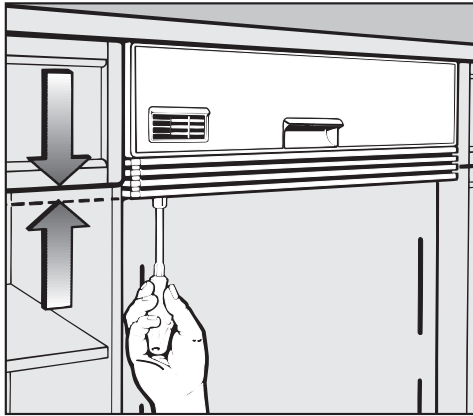


- Press out the adapter strips from the fitting slits in the fascia panel.

# Installing integrated “i” Dishwashers

## 4. Matching the fascia panel to the dimensions of the adjacent drawer fronts

The fascia panel can be aligned with the drawer fronts of the kitchen units by adjusting the spacer bars.



- Using an 8 mm socket spanner turn clockwise or anti-clockwise until the required height is reached.
- If necessary some or all spacer bars can be removed.

Adjustment range:

from 112 mm: fascia panel without spacer bars

to 145 mm: fascia panel with four spacer bars,

to 154 mm: using a fifth spacer bar (special accessory at extra cost).

### Please note

After adjustment cut off any protruding lengths of the screws.



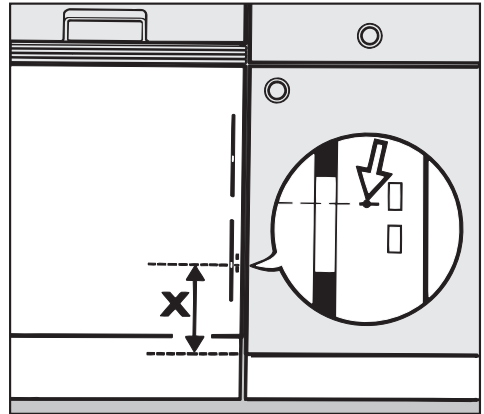
## 5. Fitting the (matching) door front

The door of a kitchen base unit (without the drawer facia or fittings) is normally used for the door front.

The door front is fixed to the machine door outer panel using a fixing bracket which has to be pre-mounted on the rear of the door front.

Fixing brackets are already fitted on to the stainless steel door front. This front cannot be shortened.

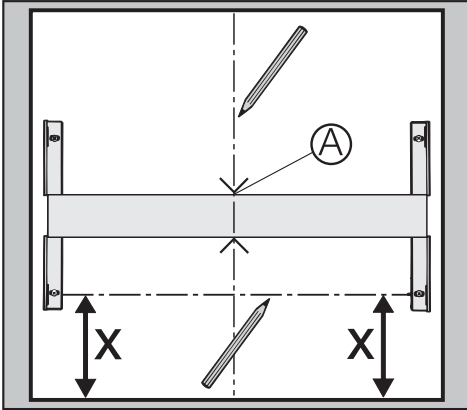
Door fronts differ in weight and it is therefore essential that the door springs are adjusted (see Step 6) after the door front has been fitted.



- Calculate dimension “X” and make a note of it before attaching the fixing bracket.

Dimension “X” is the dimension shown on the illustration between the drill hole in the outer door panel and the lower edge of the neighbouring unit door(s).

# Installing integrated “i” Dishwashers



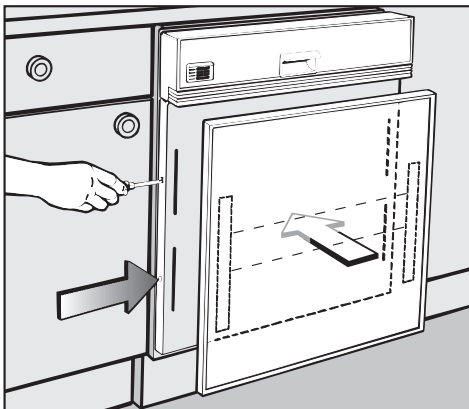
- Lay the door front with the rear side facing upwards.
- Using a pencil draw a vertical line down the middle of the door to use as a guide line.
- Draw a horizontal guide line across the door, at a distance from the lower edge of the front panel equalling the previously measured dimension “X” .

The fixing bracket is marked in the middle (A).

- Lay the bracket on the rear side of the door front so that the marks (A) in the middle of the fixing bracket align with the vertical guide line, and the lower fixing holes of the bracket are centrally positioned in the horizontal guide line (see illustration). Use strips of adhesive tape to hold the bracket in this position.
- Drill the fixing holes to a depth of about 10 mm, using a 2.5 mm drill bit.
- Secure the bracket to the door using the screws supplied.
- Double check for correct alignment before building into the recess.

## Installing integrated “i” Dishwashers

---



- Pull the dishwasher out of its recess enough to allow easy access to the side fixing screws for the door front.
- Hang the door front into the slits in the machine door outer panel, adjust for height and secure.
- Secure the door front by turning the screws clockwise at each side of the machine door outer panel.
- Plug the openings for the fixing screws using the plastic stoppers provided.

# Installing integrated “i” Dishwashers

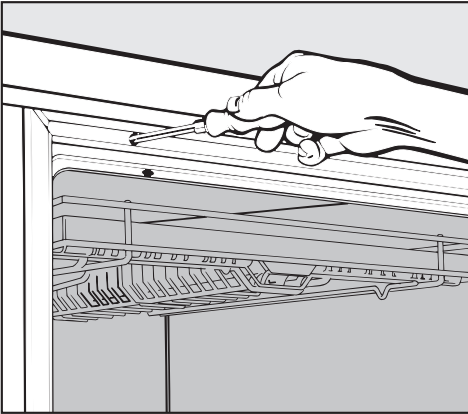
## 6. Adjusting the door springs

The door springs are correctly adjusted when a half opened door (approx. 45° opening angle) remains in that position when released.

If the door drops down, then the door springs need to be tightened.

If, however, it rises up, then the springs need to be released.

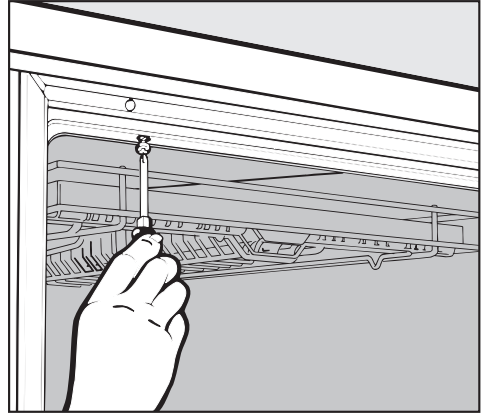
The adjusting screw is located in the upper front strip at the left hand side of the dishwasher.



- Open the dishwasher door.
- Adjust the door spring until it is correctly balanced:
  - turn clockwise = tighten
  - turn anti-clockwise = loosen.
- Push the dishwasher back into its recess.

## 7. Level and secure the dishwasher

To ensure the stability of the dishwasher it must be screwed to the continuous worktop after it has been positioned.



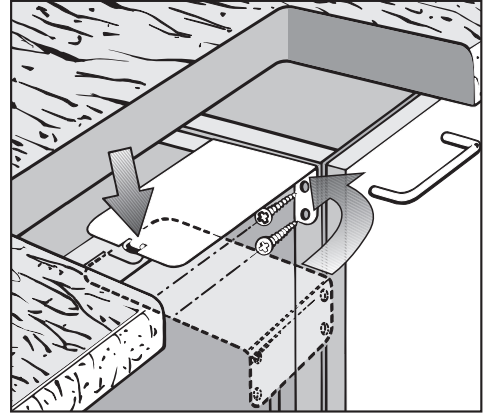
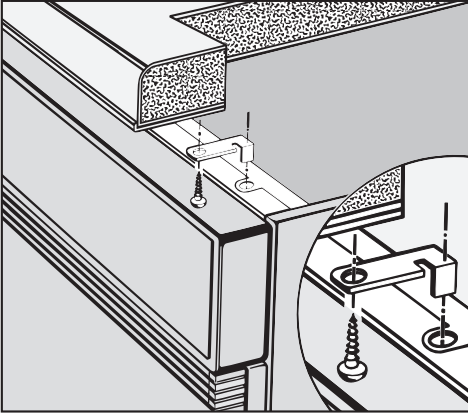
- Half open the dishwasher door.
- Screw one of the 4 x 15 screws (supplied) from below into the holes in the right and left hand side of the upper strip.

Do not lift the dishwasher to do this. If necessary, screw the feet out further.

# Installing integrated “i” Dishwashers

If one of the screw positions is in the cut-out area, e.g. of the built-in sink, attach the fixing bracket supplied.

For “Corian” or granite worktops there is a special accessory to fix the dishwasher to an adjacent kitchen unit.

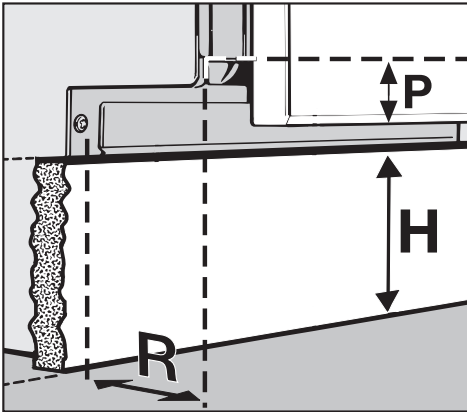


- Pull the dishwasher approx. 5-10 cm out of the recess.
- Position the fixing bracket.
- Push the dishwasher back into the recess, adjust and screw into position with a (3.9 x 22) screw.
- Pull the dishwasher approx. 5-10 cm out of its niche.
- Fit the lug of each fixing bracket into the guide hole on top of the dishwasher, and then swing to the left or right side respectively.
- Push the dishwasher back into the niche, align, and fix to the adjacent kitchen unit(s) with 2 screws (3.5 x 15) for each bracket.

# Installing integrated “i” Dishwashers

## 8. Matching the plinth fascia of a kitchen run

The plinth area of the dishwasher is normally covered with a plinth run matching the kitchen furniture.



The height (**H**) of the plinth fascia around the dishwasher depends on the plinth return (**R**) and how much the door front extends below the dishwasher door (**P**).

- Place the plinth fascia directly in front of the kitchen run but do not attach.
- Carefully open the dishwasher door.

If the door front comes into contact with the kitchen plinth when the dishwasher door is opened the plinth fascia in the area around the dishwasher door needs to be cut to size.

- To do this mark where the edge of the door front comes into contact with the plinth fascia.
- Cut the plinth fascia to size along this line.
- Place the plinth fascia in front of the kitchen run again and check whether the dishwasher door can be opened fully. If it cannot, trim the plinth fascia to the correct size.
- Secure the plinth fascia to the adjacent kitchen units.

If your kitchen does not have a plinth run matching the kitchen furniture, the plinth area can be covered with a separate plinth kit, available at extra cost.

Please follow the installation instructions carefully.

- This dishwasher is supplied ready for connection to an a.c. single phase supply, (230 - 240 V 50 Hz for the UK and Australia). It is supplied with a mains cable and moulded plug.

All electrical work should be carried out by a competent person in accordance with national and local regulations. Connection should be made via a fused plug and suitable switched socket which is easily accessible.

For extra safety it is advisable to install a residual current device (RCD) with a trip current of 30 mA.

- The voltage, rated load and fuse rating are given on the data plate.
- Please ensure that these match the household mains supply.

## Important


The wires in the mains lead are coloured in accordance with the following code:

Green/yellow = earth

Blue = neutral

Brown = live

As the colours of the wires in the mains lead of this appliance may not correspond with the coloured markings identifying the terminals in your plug, proceed as follows:

The wire which is coloured green and yellow must be connected to the terminal in the plug which is marked with the letter E or by the earth symbol  or coloured green or green and yellow.

The wire which is coloured blue must be connected to the terminal which is marked with the letter N or coloured black.

The wire which is coloured brown must be connected to the terminal which is marked with the letter L or coloured red (UK), or marked with the letter A for (AUSTRALIA).

**WARNING**  
**THIS APPLIANCE MUST**  
**BE EARTHED**

# Electrical connection

---

## Non rewirable plugs BS 1363

If this machine or appliance is fitted with a non-rewirable plug, the following information applies:

If the socket outlets are not suitable for the plug supplied with this product, it must be cut off and an appropriate plug fitted.

The plug cut from the flexible cord should be disposed of and on no account be inserted into a socket elsewhere in the house (electric shock hazard).

The fuse cover must be refitted when changing the fuse, and if the fuse cover is lost, the plug must not be used until a suitable replacement is obtained. The colour of the correct replacement cover is that of the coloured insert in the base of the plug, or the colour that is embossed in words in the base of the plug (as applicable to the design of plug fitted).

The correct fuse rating of the replacement fuses that are ASTA approved to BS 1362 should be fitted. Replacement fuse covers may be purchased from your local electrical suppliers, or Miele Service Agent.

(The German standard version is supplied with a cable and moulded plug for connection to a 230 V single phase supply. It must only be connected via a fused 16 A socket).

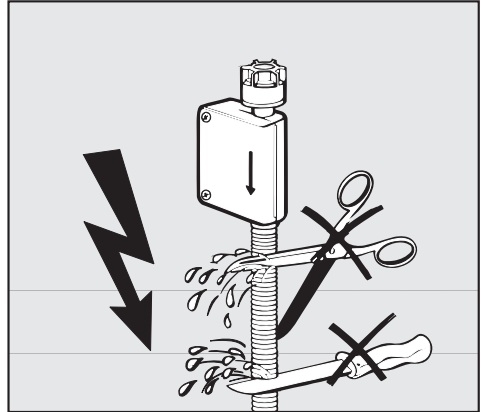


## Connection to the water inlet

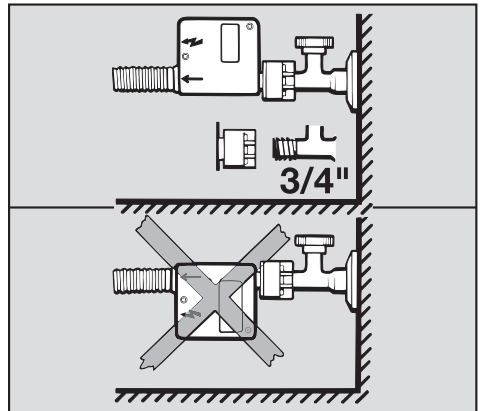
Water in the dishwasher must not be used as drinking water.

- The dishwasher may be connected to a cold or hot water supply, max. 60°C. When connected to a hot water supply all programme stages which would otherwise be carried out with cold water (pre-wash and interim rinse) as well as the PRE-WASH will be carried out with hot water.
- The programme “Energy save” (without heater) needs connection to a hot water supply with a temperature of at least 45°C.
- The inlet hose is approx. 1.5 m long; a longer hose (4 m) may be bought from the Miele Spare Parts Dept.
- A stopcock with a 3/4" male thread must be provided on site.
- The dishwasher is constructed to comply with DVGW regulations, and may be connected to a suitable supply without an extra non-return valve if national regulations allow this.
- The water pressure (flow rate at the take-off point) must be between 0.3 and 10 bar pressure.  
If the water pressure is too low the “Water inlet light” can light up, (see “Problem solving guide”).  
If the water pressure is too high, a pressure reducer valve must be fitted.

The water inlet hose must not be shortened or damaged in any way, (see following illustration).



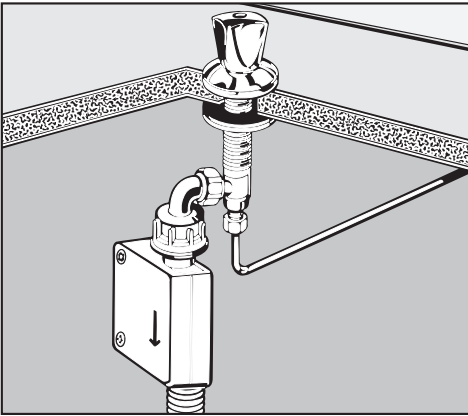
- Connect the inlet hose with the “Waterproof-System” preferably vertically so that the hose exits from the bottom of the “Waterproof valve” box.



- If this is not possible, it can be installed horizontally, **but it is essential** that the main body of the “Waterproof valve” box is above the hose exit (see illustration). The ‘lightning’ power symbol should be above the water flow ‘arrow’.

# Plumbing

There must be a distance of **at least 20 cm** between the floor and the bottom of the “Waterproof” unit housing, for either vertical or horizontal installation.



- If the stopcock is situated in the worktop, a special angle connector can be ordered from the Miele Spare Parts Dept. (Part No. 2078910).



- Lay the hose in such a way that it does not rise above the bottom of the “Waterproof” unit casing (see illustration).

## Drainage

- The machine drainage system is fitted with a non-return valve, which prevents dirty water from flowing back into the machine via the drain hose.
- The dishwasher is supplied with approx. 1.5 m of flexible drain hose with an internal diameter of 22 mm.
- The drain hose can be extended using a connection piece and an extra drain hose, (up to max. 4 metres).
- If the hose is to be directly fitted to the drainage outlet on site, use the hose clip supplied.
- The connection socket on the dishwasher can be turned. The hose can thus be laid to the right or left without needing to loosen the hose clip.
- The drain system must not exceed 4 metres. The drain pump has a maximum delivery head of 1 metre.
- The drain hose must not be shortened.

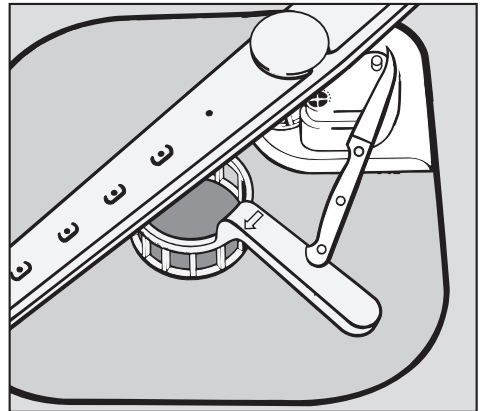
## Venting the drainage system

- Open the dishwasher door fully.

If the site drain connection is situated lower than the guide path for the bottom basket rollers in the open door the drainage system must be vented.

Otherwise a siphoning effect during a programme can cause the machine to empty itself of water.

To vent:



- Cut off the top of the vent valve in the wash cabinet.



## Technical Data

---

Height Freestanding	85 cm (adjustable + 1.0 cm)
Height U- and i-models	82 cm (adjustable + 5.0 cm)
Width	59.8 cm
Width of building in recess	60 cm
Depth	60 cm (Freestanding model) 57 cm (U- and i-models)
Depth with door open	118.5 cm (Freestanding model) 115.5 cm (U- and i-models)
Voltage	} see data plate
Rated load	
Fuse rating	
Test marks	VDE, Radio and Television suppressed
Water pressure (flow rate)	0.3 - 10 bar pressure
Hot water connection	max. 60 °C
Delivery head	max. 1 m
Drainage length	max. 4 m
Connection cable	approx. 1.7 m
Capacity	12 place settings





# Miele

## **United Kingdom**

Miele Co. Ltd.

Fairacres, Marcham Road, Abingdon, Oxon, OX14 1TW

tel. Abingdon (01235) 554455 - fax (01235) 554477

Service Office, tel. Abingdon (01235) 554466

## **Ireland:**

Miele Ireland Ltd.

Wilton House, Naas Road, Dublin 22

Tel. (01) 4504024, Fax (01) 4504037